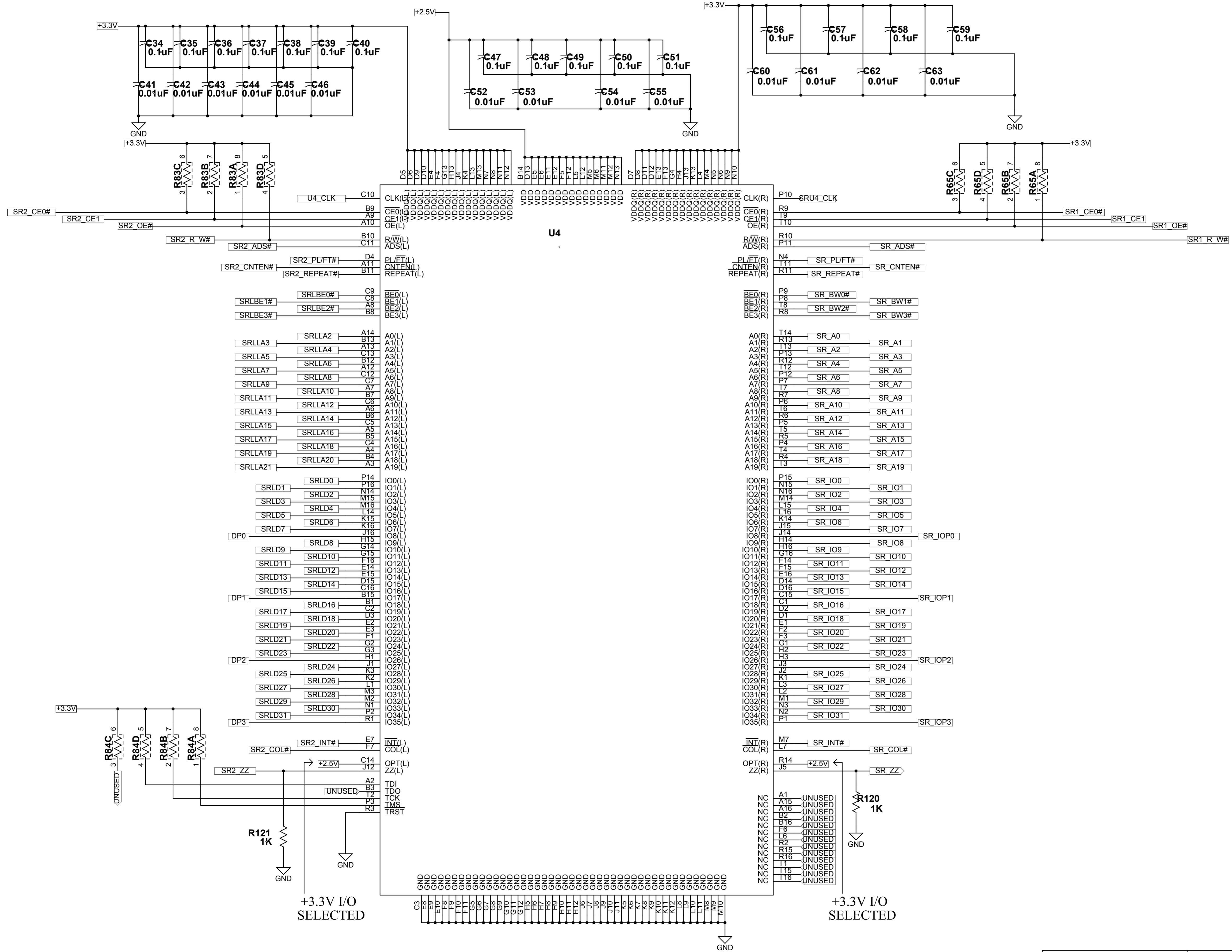
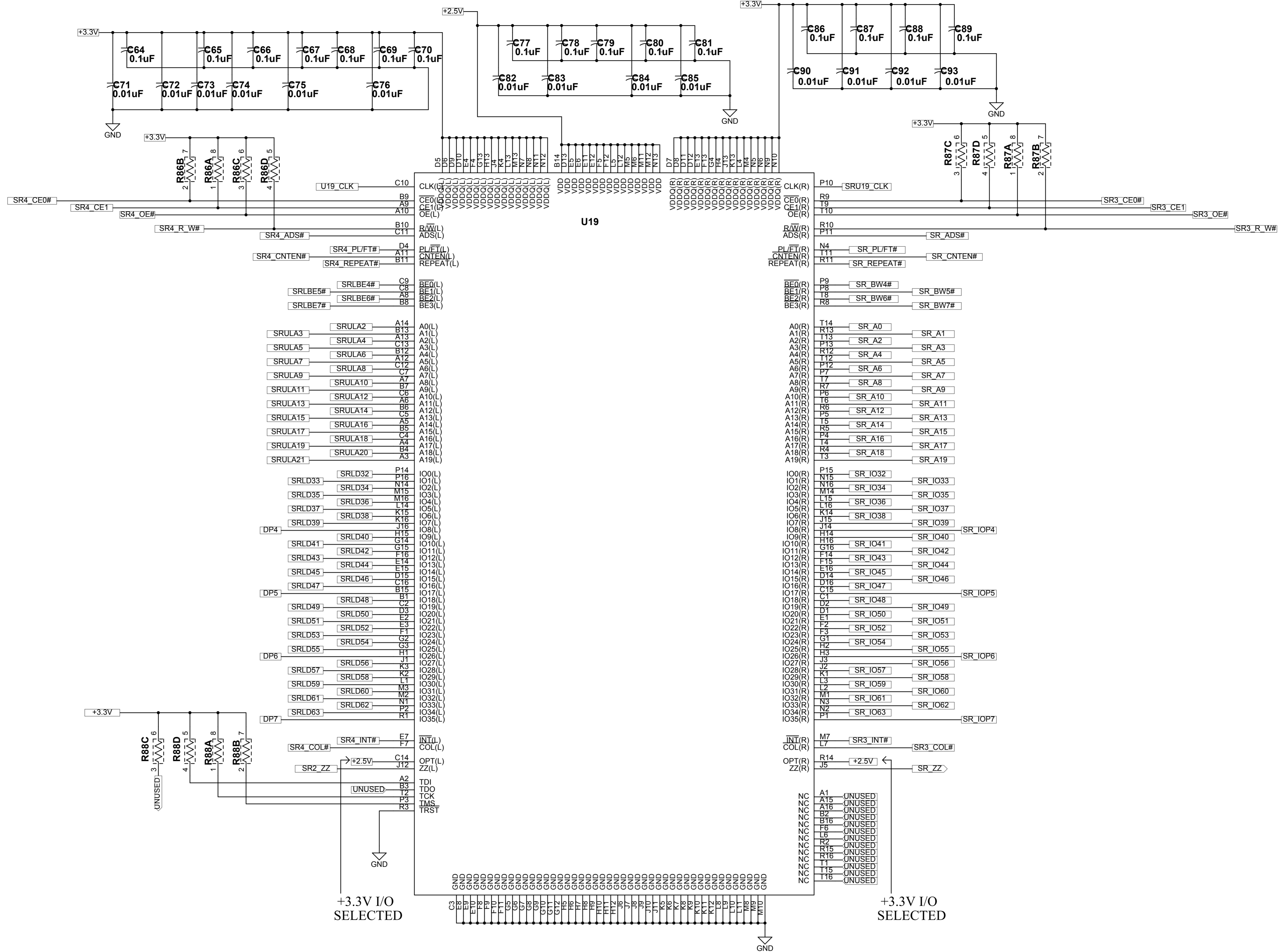


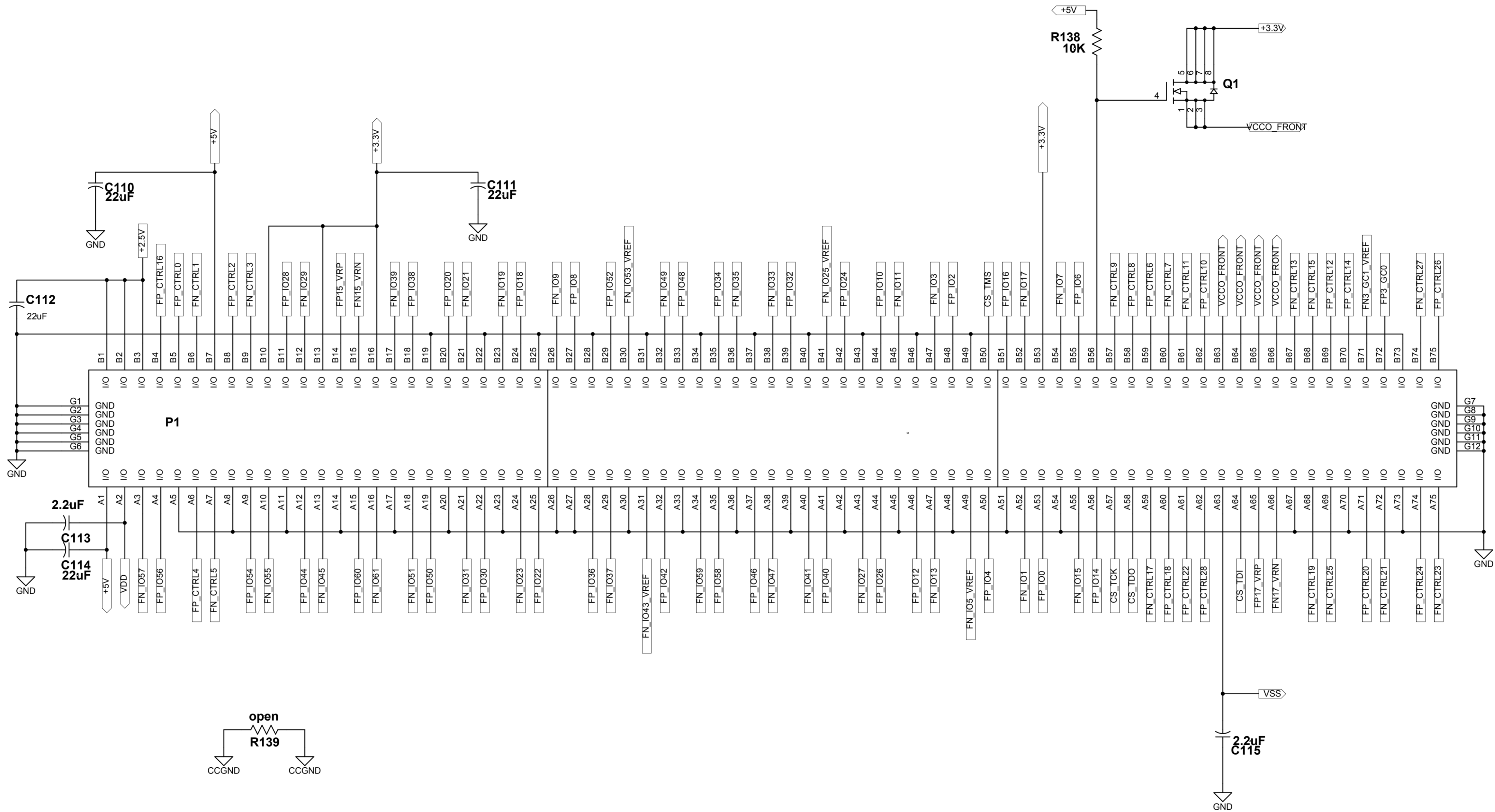
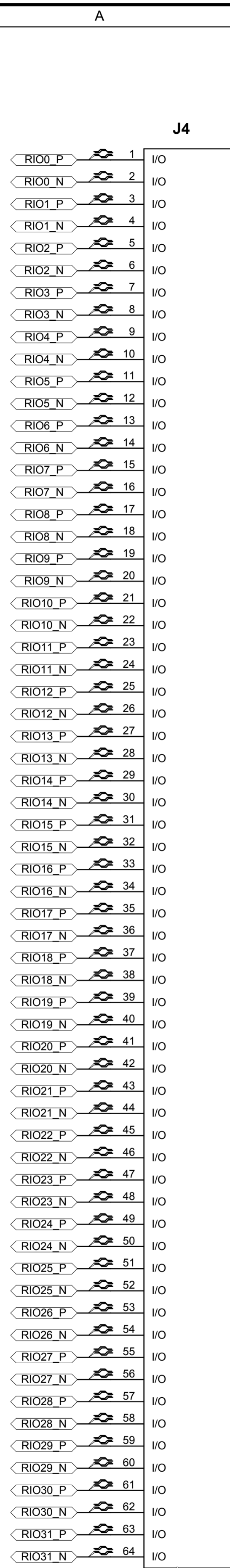
Acromag [®] WIXOM, MICH.		DATE	REV	ECN	DR	ENG	CLP
		FEB-07	B		LL	LMP	CAP
TITLE: PMC Vertex 5							
C	SERIES	1 OF 15	DWG NO.	1018-855	REV		



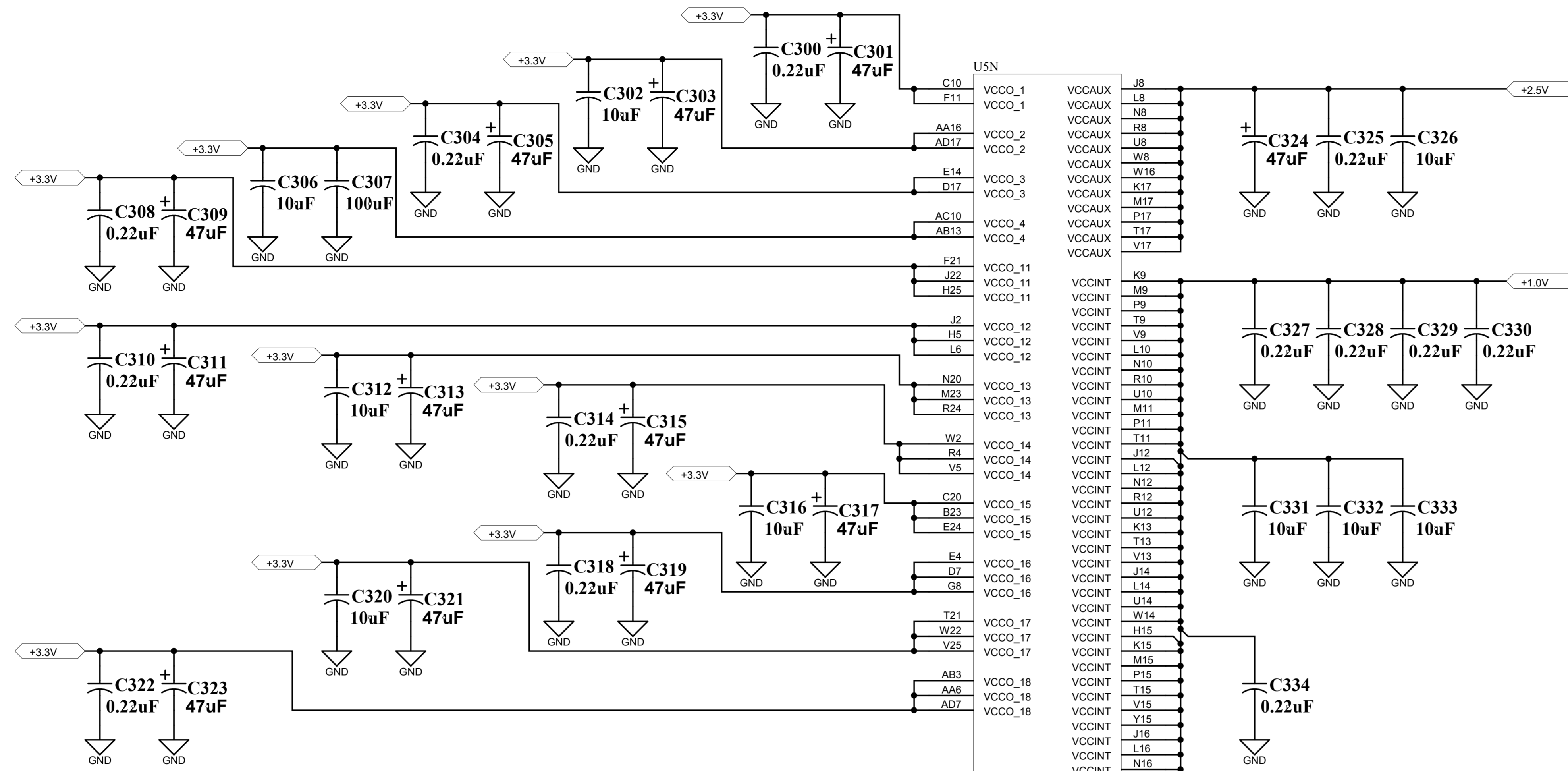
Acromag [®] WIXOM, MICH.		DATE	REV	ECN	DR	ENG	CLP
		FEB-07	B		LL	LMP	CAP
TITLE: PMC Virtex 5							
SERIES	2 OF 15	DWG NO.	1018-855	REV			



Acromag [®] WIXOM, MICH.		FEB-07	B	LL	LMP	CAP
		DATE	REV	ECN	DR	ENG
TITLE: PMC Virtex 5						
C	SERIES	3 OF 15	DWG NO.	1018-855	B	REV



Acromag [®] WIXOM, MICH.		DATE	REV	ECN	DR	ENG	CLP
		FEB-07	B		LL	LMP	CAP
TITLE: PMC Virtex 5							
C	SERIES	4 OF 15	DWG NO.	1018-855	B	REV	



USN

C10	VCCO_1	VCCAUX
F11	VCCO_1	VCCAUX
AA16	VCCO_2	VCCAUX
AD17	VCCO_2	VCCAUX
E14	VCCO_3	VCCAUX
D17	VCCO_3	VCCAUX
AC10	VCCO_4	VCCAUX
AB13	VCCO_4	VCCAUX
F21	VCCO_11	VCCAUX
J22	VCCO_11	VCCAUX
H25	VCCO_11	VCCAUX
J2	VCCO_12	VCCINT
H5	VCCO_12	VCCINT
L6	VCCO_12	VCCINT
N20	VCCO_13	VCCINT
M23	VCCO_13	VCCINT
R24	VCCO_13	VCCINT
W2	VCCO_14	VCCINT
R4	VCCO_14	VCCINT
V5	VCCO_14	VCCINT
C20	VCCO_15	VCCINT
B23	VCCO_15	VCCINT
E24	VCCO_15	VCCINT
E4	VCCO_16	VCCINT
D7	VCCO_16	VCCINT
G8	VCCO_16	VCCINT
T21	VCCO_17	VCCINT
W22	VCCO_17	VCCINT
V25	VCCO_17	VCCINT
AB3	VCCO_18	VCCINT
AA6	VCCO_18	VCCINT
AD7	VCCO_18	VCCINT

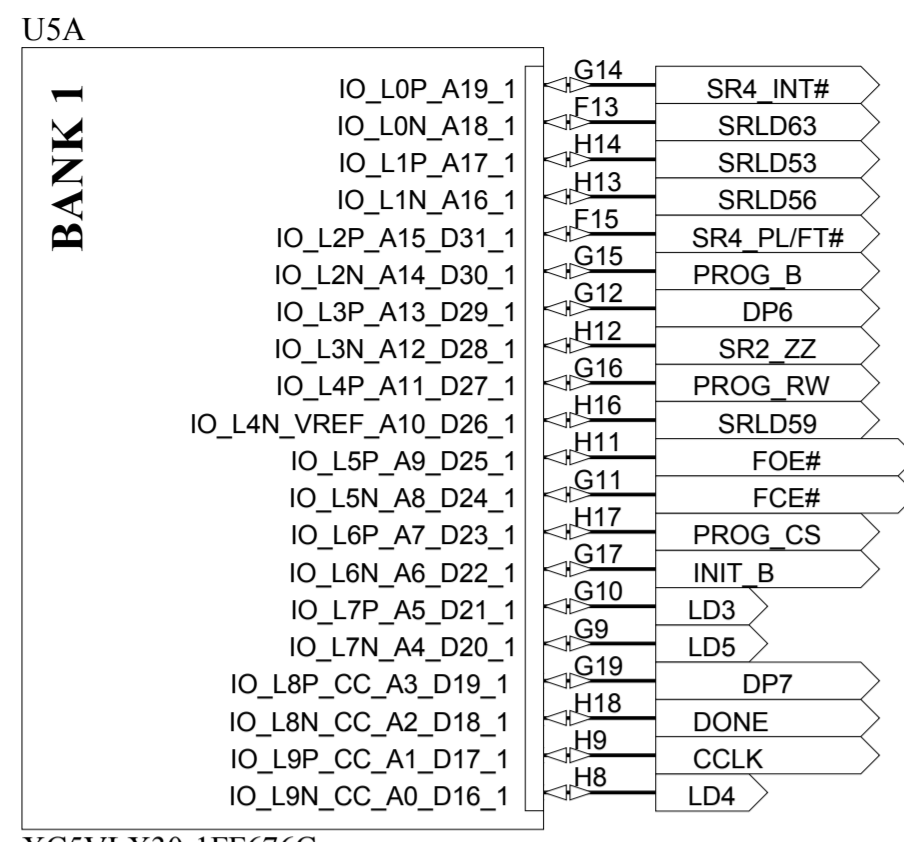
XCSVLX30-1FF676C

U50

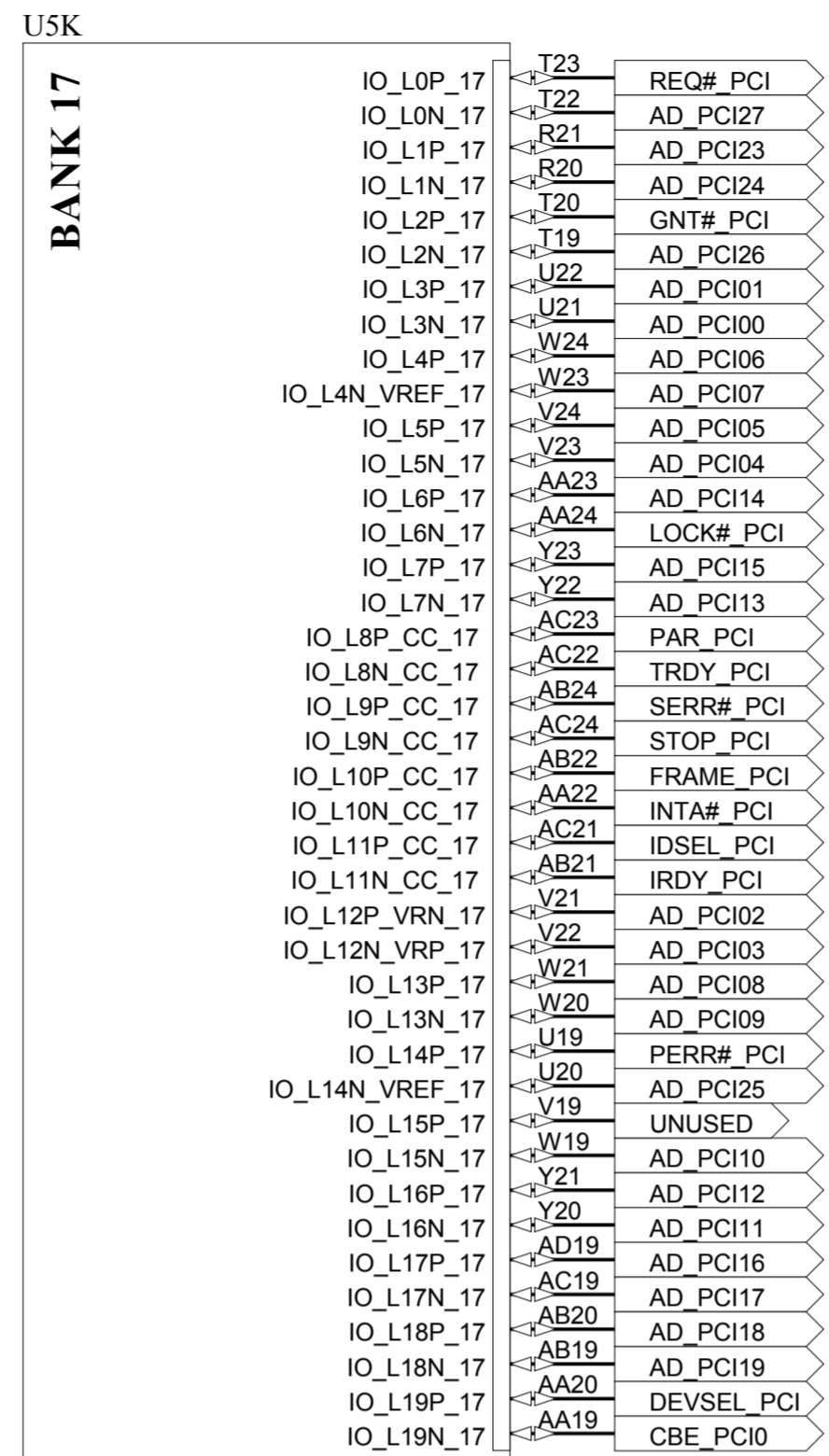
A1	GND	U13
F1	GND	W13
L1	GND	K14
T1	GND	T14
AA1	GND	V14
AF1	GND	Y14
D2	GND	AE14
P2	GND	C15
AD2	GND	J15
B3	GND	L15
G3	GND	N15
M3	GND	R15
U3	GND	U15
K4	GND	W15
Y4	GND	AC15
AE4	GND	A16
C5	GND	F16
N5	GND	K16
AC5	GND	M16
A6	GND	P16
F6	GND	T16
T6	GND	V16
AF6	GND	Y16
J7	GND	AE16
P7	GND	AF16
W7	GND	J17
B8	GND	L17
K8	GND	N17
M8	GND	R17
P8	GND	U17
T8	GND	W17
V8	GND	B18
AB8	GND	G18
E9	GND	M18
J9	GND	U18
L9	GND	AB18
N9	GND	E19
R9	GND	K19
U9	GND	R19
W9	GND	Y19
AE9	GND	AE19
H10	GND	H20
M10	GND	V20
P10	GND	A21
T10	GND	L21
V10	GND	AA21
A11	GND	AF21
L11	GND	D22
N11	GND	P22
R11	GND	AD22
AA11	GND	G23
AF11	GND	U23
D12	GND	K24
K12	GND	Y24
M12	GND	C25
P12	GND	N25
T12	GND	AC25
AD12	GND	A26
B13	GND	F26
G13	GND	L26
J13	GND	T26
L13	GND	AA26
	GND	AF26

XCSVLX30-1FF676C

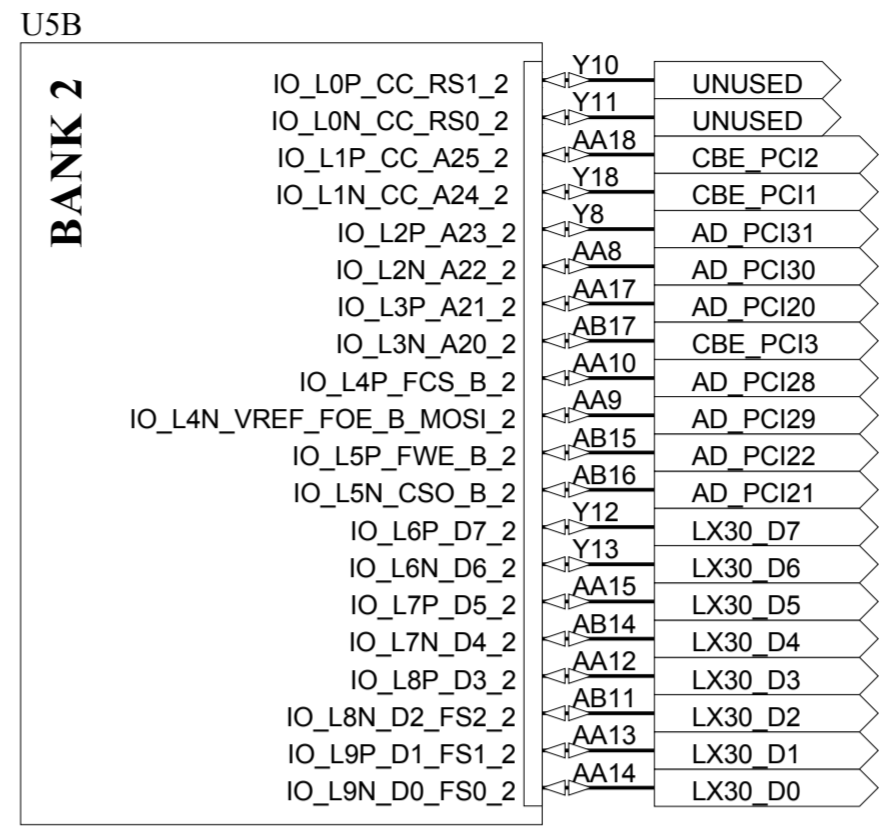
Acromag [®] WIXOM, MICH.		DATE	REV	ECN	DR	ENG	LMP	CAP
		FEB-07	B		LL	LMP	CAP	
TITLE		PMC Virtex 5						
B	SERIES	5 OF 15	DWG. NO.	1018-855		B	REV	



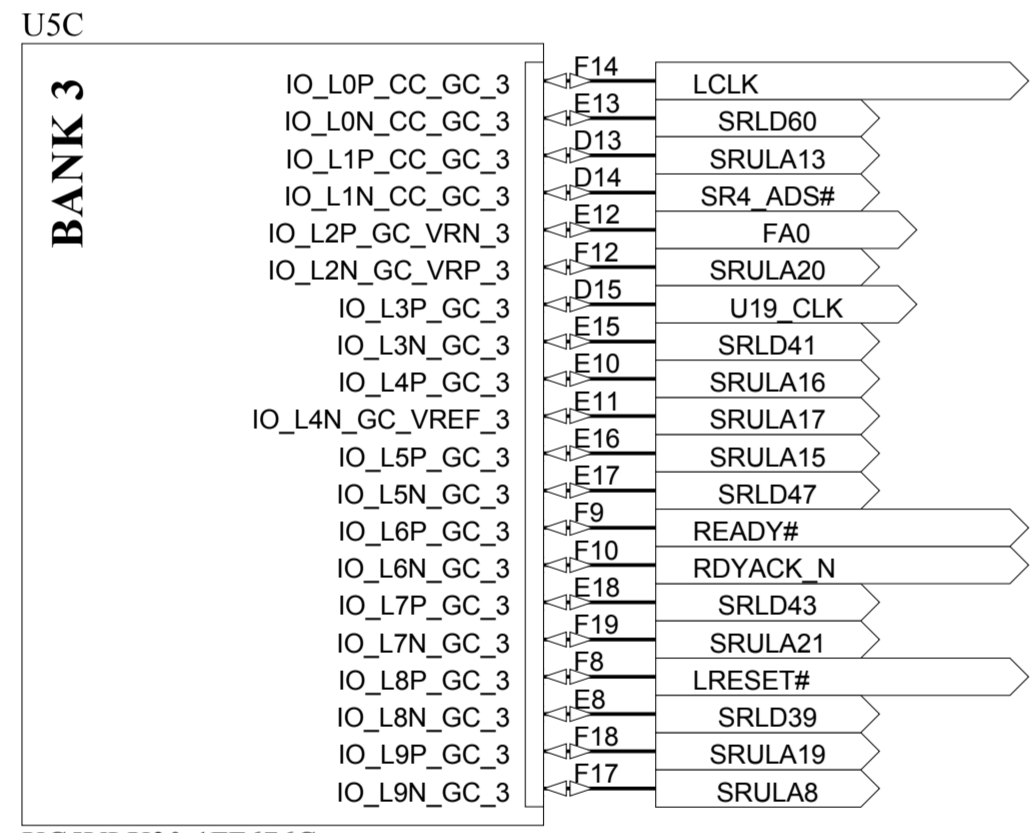
XC5VLX30-1FF676C



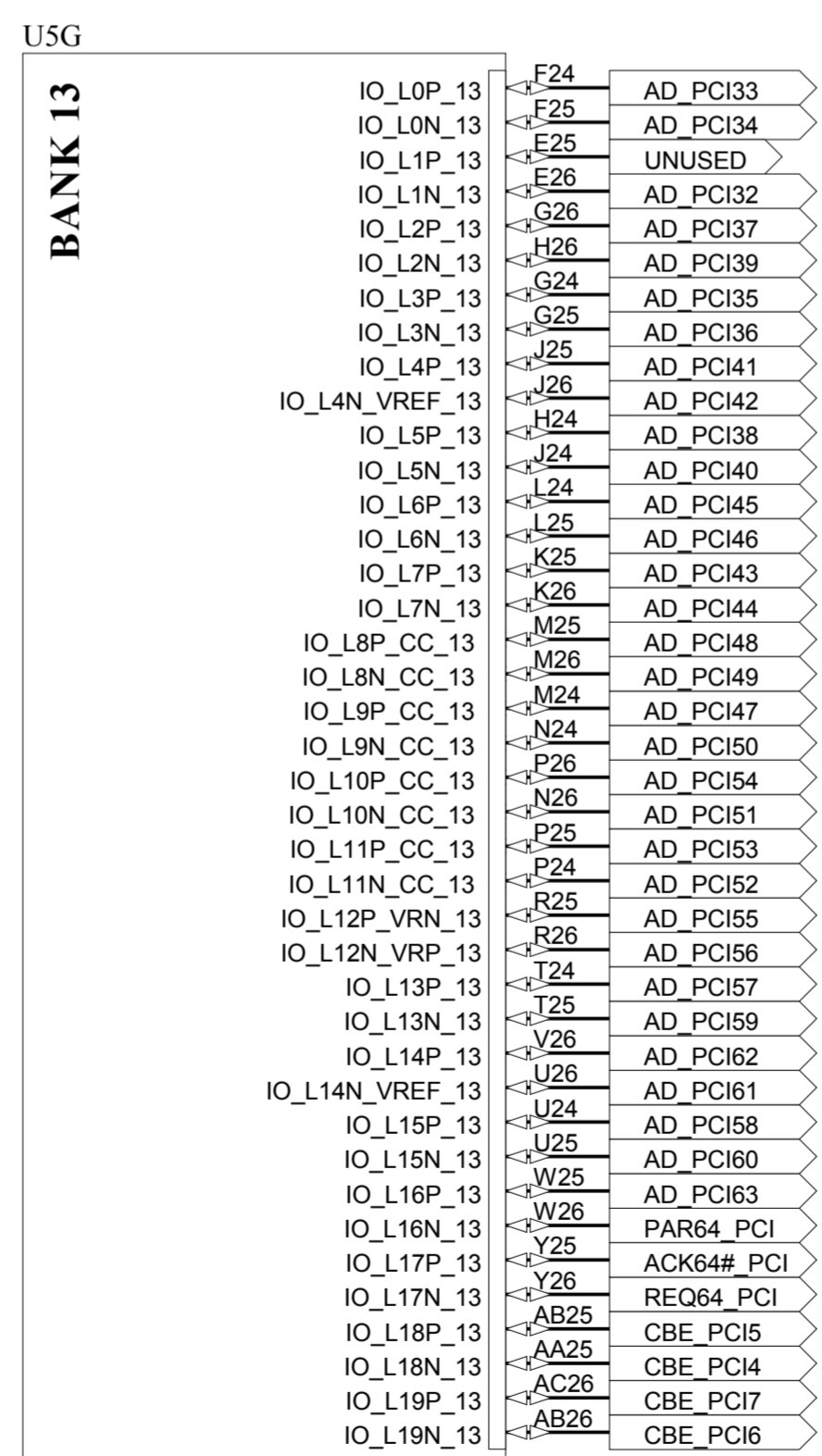
XC5VLX30-1FF676C



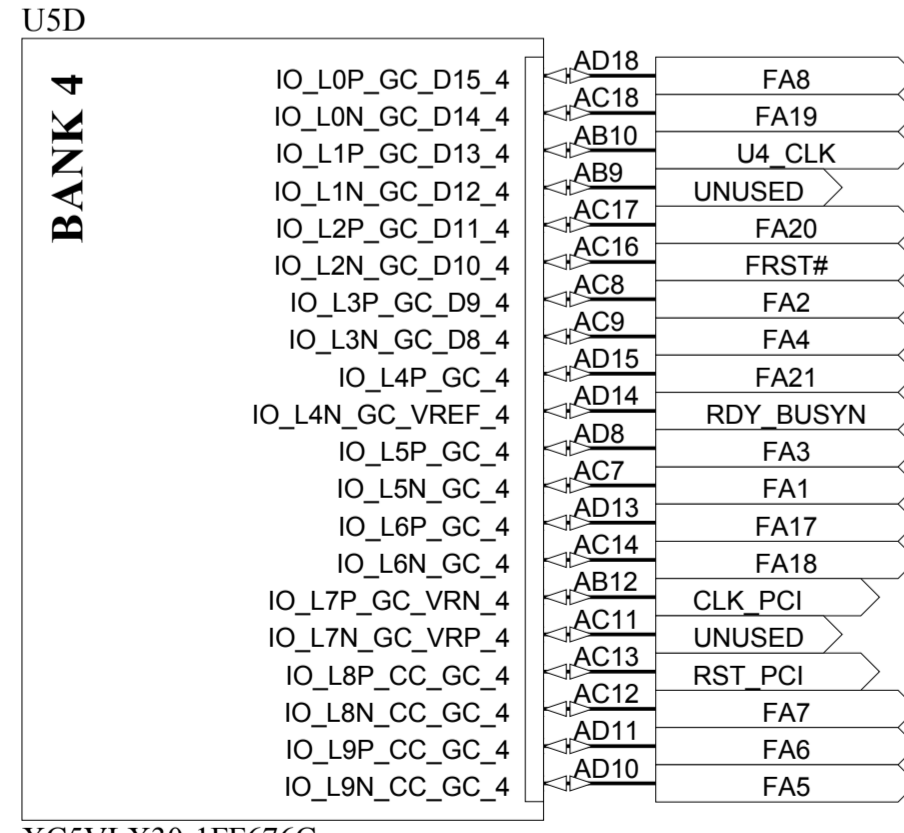
XC5VLX30-1FF676C



XC5VLX30-1FF676C

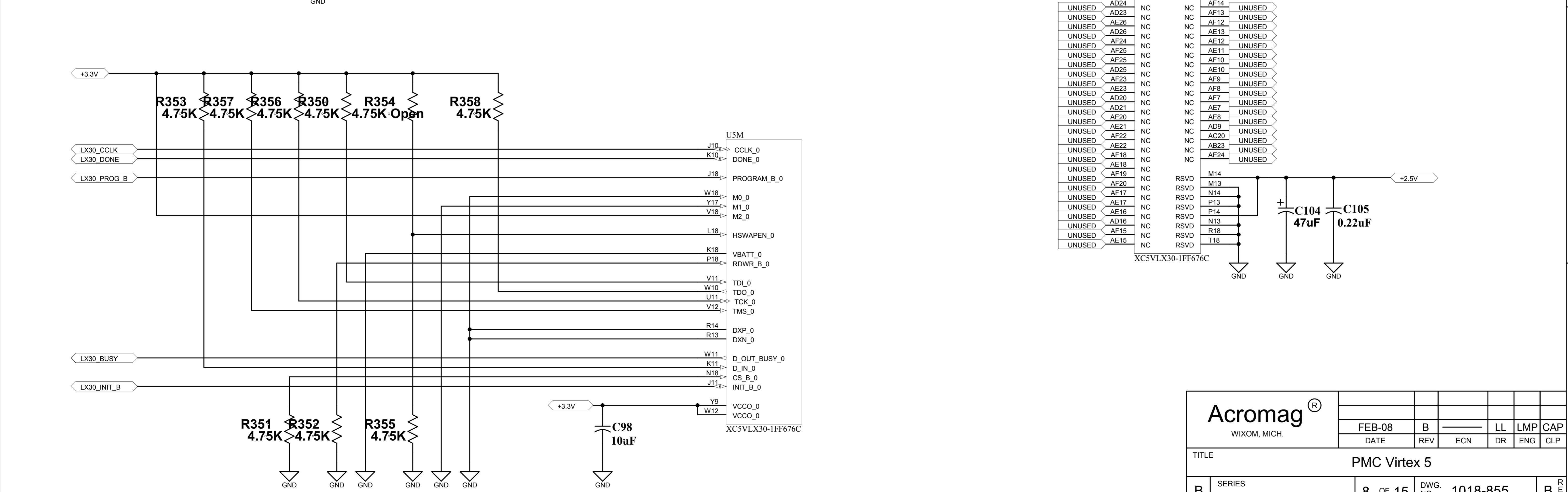
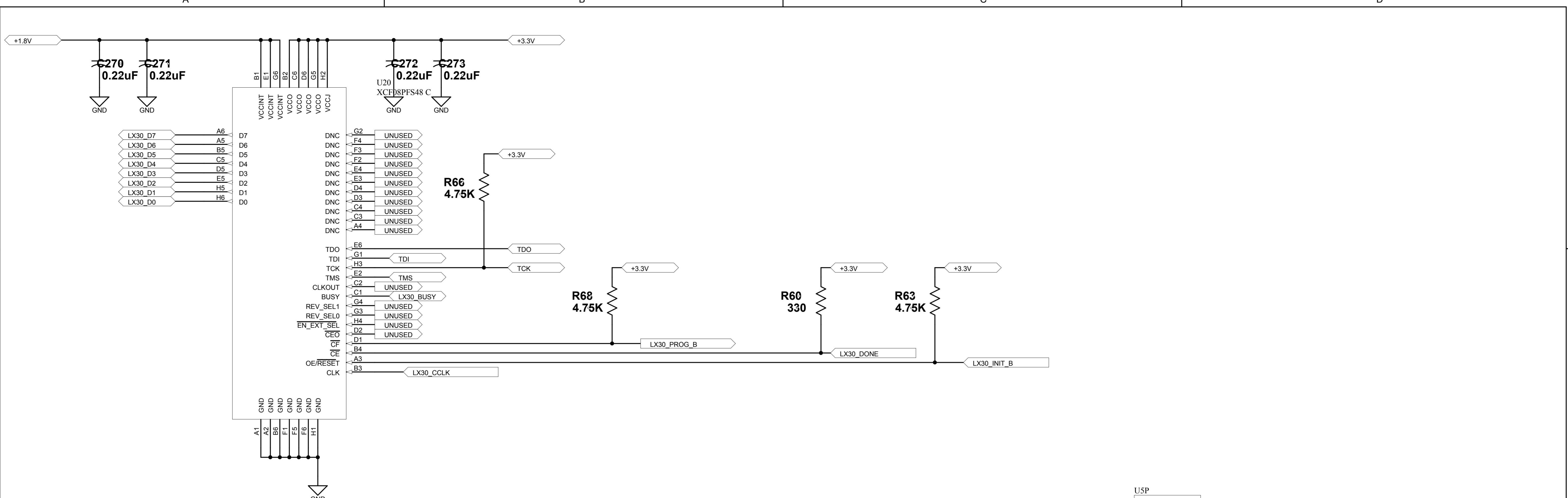


XC5VLX30-1FF676C



XC5VLX30-1FF676C

Acromag [®] WIXOM, MICH.							
		FEB-07 <small>DATE</small>	B <small>REV</small>	LL <small>DR</small>	LMP <small>ENG</small>	CAP <small>CLP</small>	
TITLE PMC Virtex 5							
B <small>SERIES</small>	6 OF 15 <small>DWG. NO.</small>	1018-855 <small>DWG. NO.</small>	B <small>REV</small>				

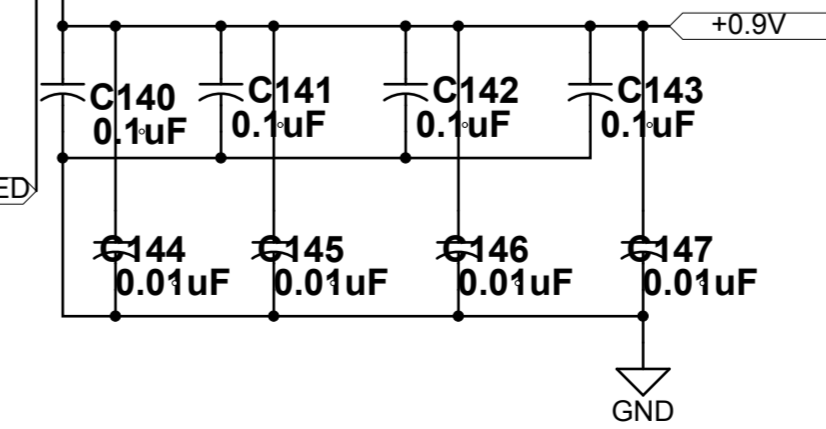
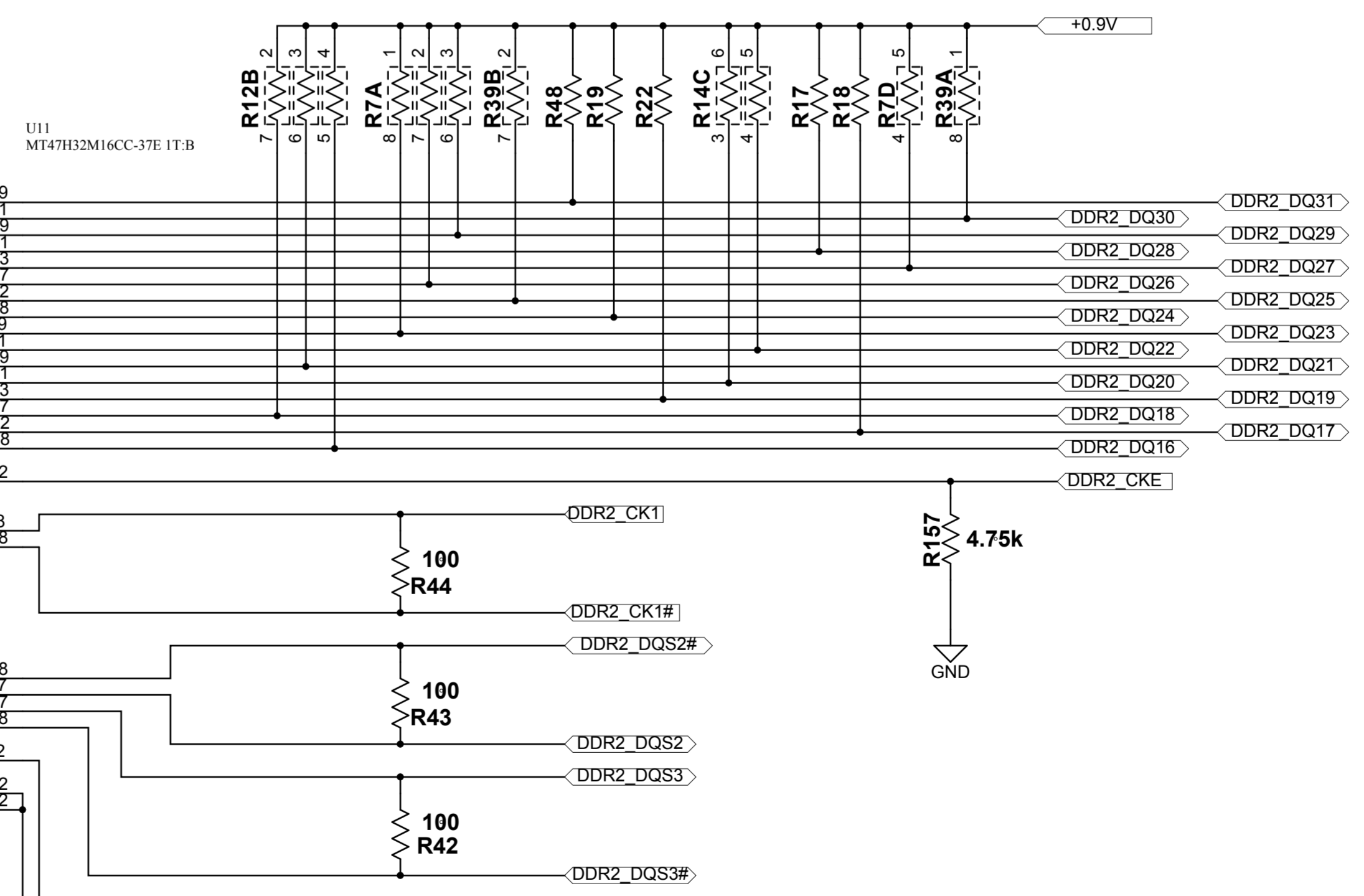
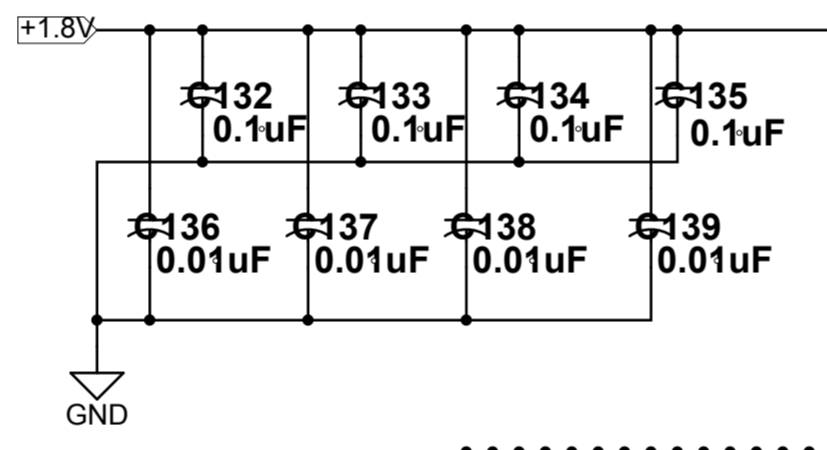
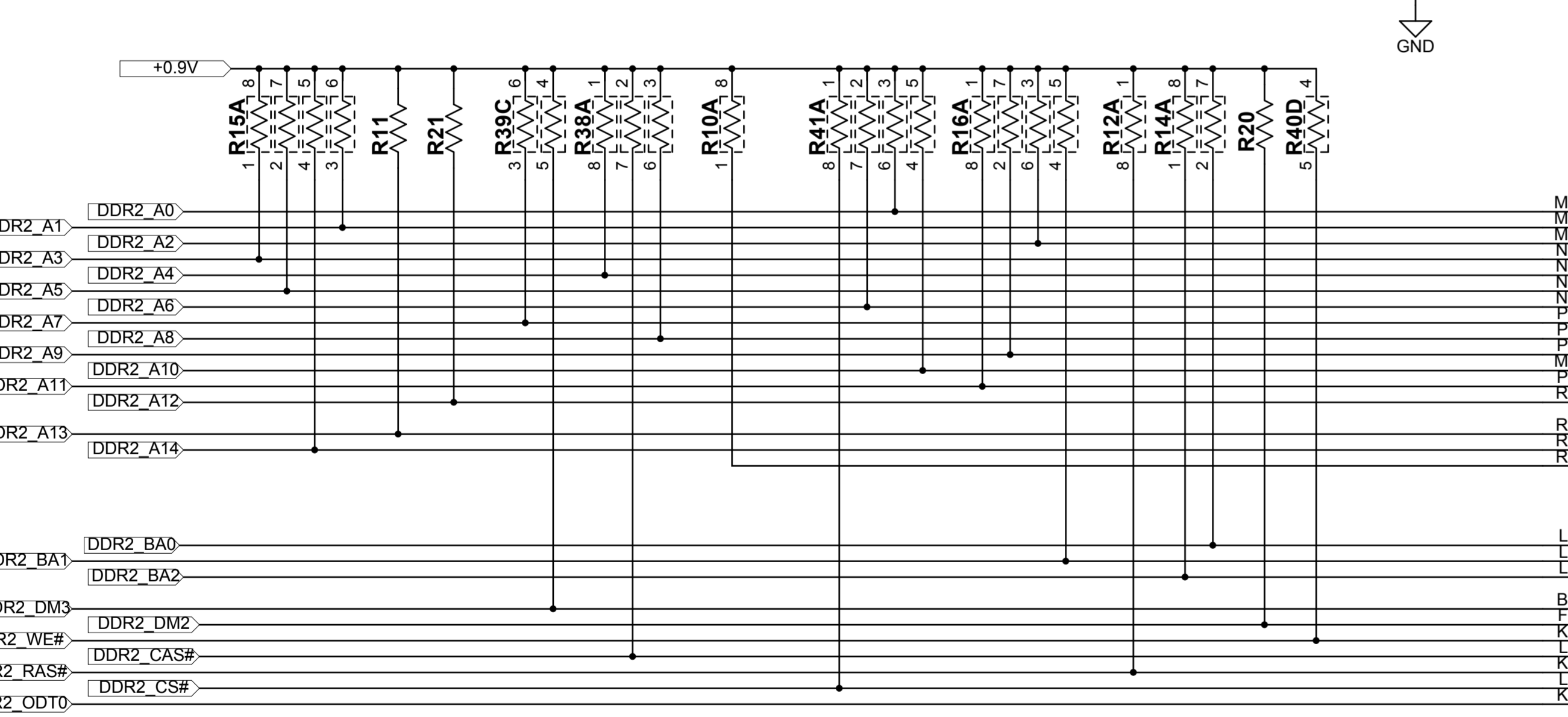
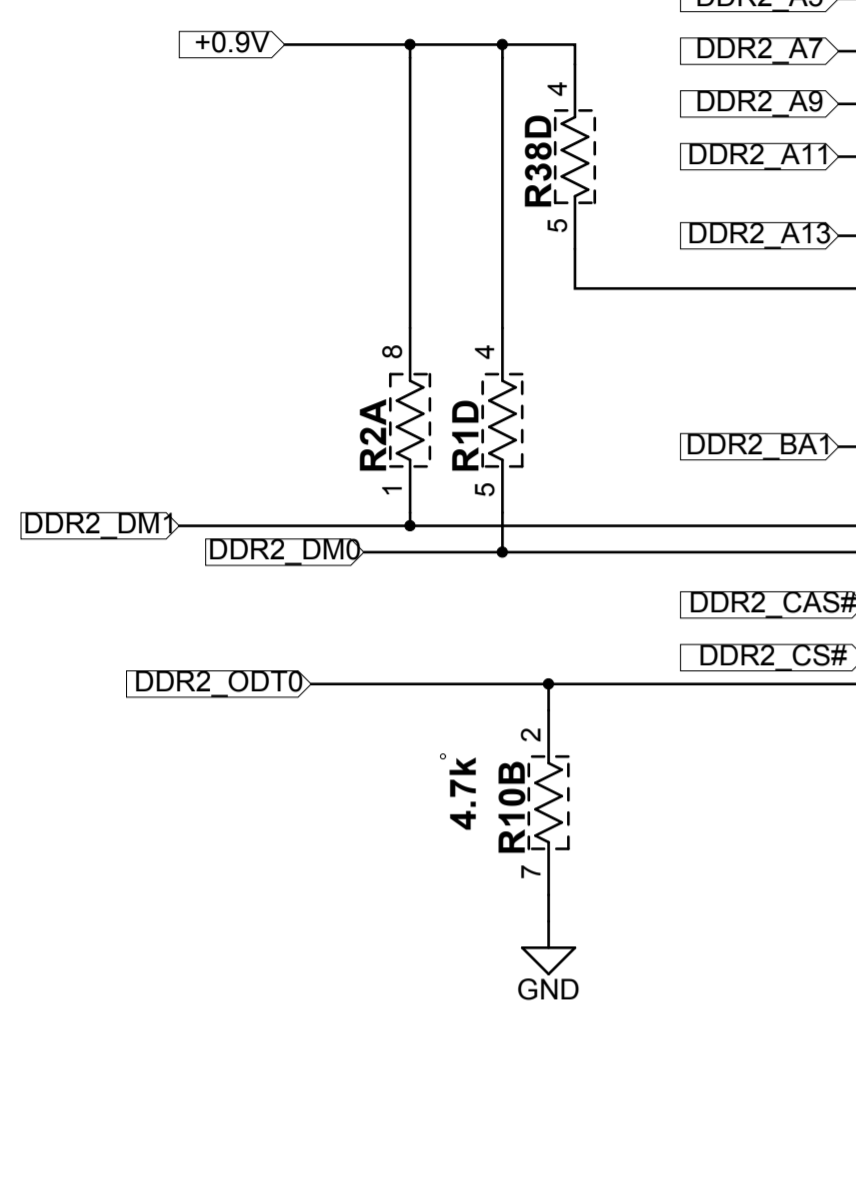
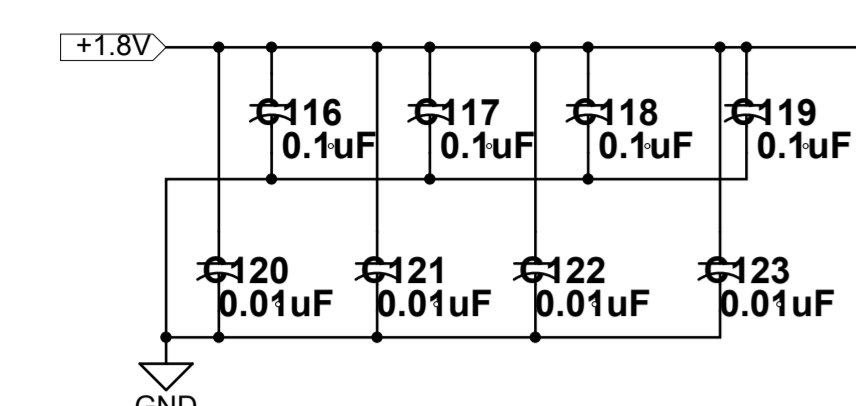


USP

UNUSED	AD24	NC	NC	AF14	UNUSED
UNUSED	AD23	NC	NC	AF13	UNUSED
UNUSED	AD26	NC	NC	AF12	UNUSED
UNUSED	AD26	NC	NC	AE13	UNUSED
UNUSED	AF24	NC	NC	AE12	UNUSED
UNUSED	AF25	NC	NC	AE11	UNUSED
UNUSED	AE25	NC	NC	AF10	UNUSED
UNUSED	AD25	NC	NC	AE10	UNUSED
UNUSED	AF23	NC	NC	AF9	UNUSED
UNUSED	AE23	NC	NC	AF8	UNUSED
UNUSED	AD20	NC	NC	AF7	UNUSED
UNUSED	AD21	NC	NC	AE7	UNUSED
UNUSED	AE20	NC	NC	AE8	UNUSED
UNUSED	AE21	NC	NC	AD9	UNUSED
UNUSED	AF22	NC	NC	AC20	UNUSED
UNUSED	AE22	NC	NC	AB23	UNUSED
UNUSED	AF18	NC	NC	AE24	UNUSED
UNUSED	AE18	NC	NC		
UNUSED	AF19	NC	NC	M14	
UNUSED	AF20	NC	NC	M13	
UNUSED	AF17	NC	NC	N14	
UNUSED	AE17	NC	NC	P13	
UNUSED	AE16	NC	NC	P14	
UNUSED	AD16	NC	NC	N13	
UNUSED	AF15	NC	NC	R18	
UNUSED	AE15	NC	NC	T18	
UNUSED					

XCSVLX30-1FF676C

Acromag [®]									
WIXOM, MICH.									
	FEB-08	B		LL	LMP	CAP			
	DATE	REV	ECN	DR	ENG	CLP			
TITLE									
PMC Virtex 5									
B	SERIES		8 OF 15	DWG. NO.	1018-855			B	REV

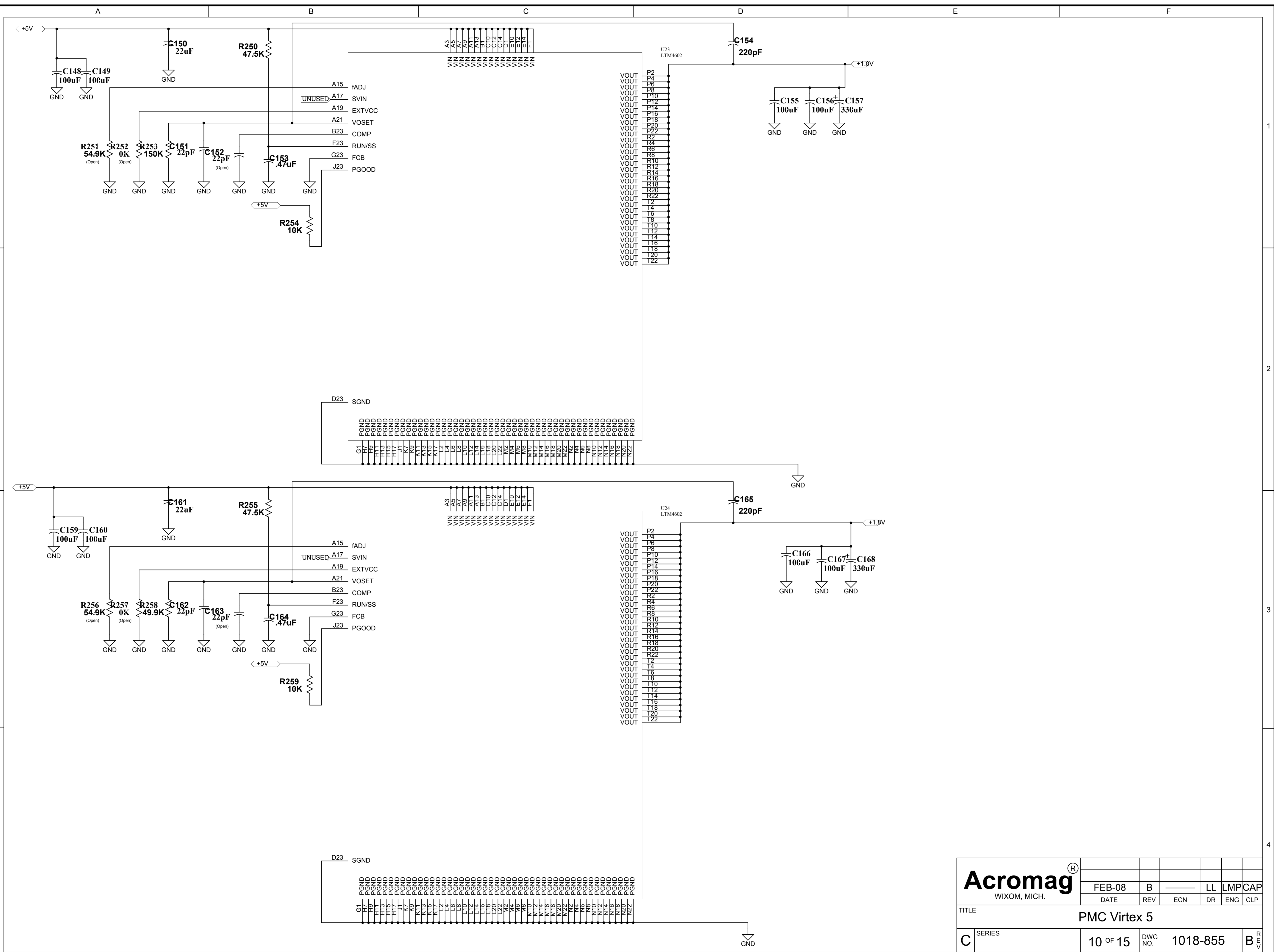


Acromag[®]
WIXOM, MICH.

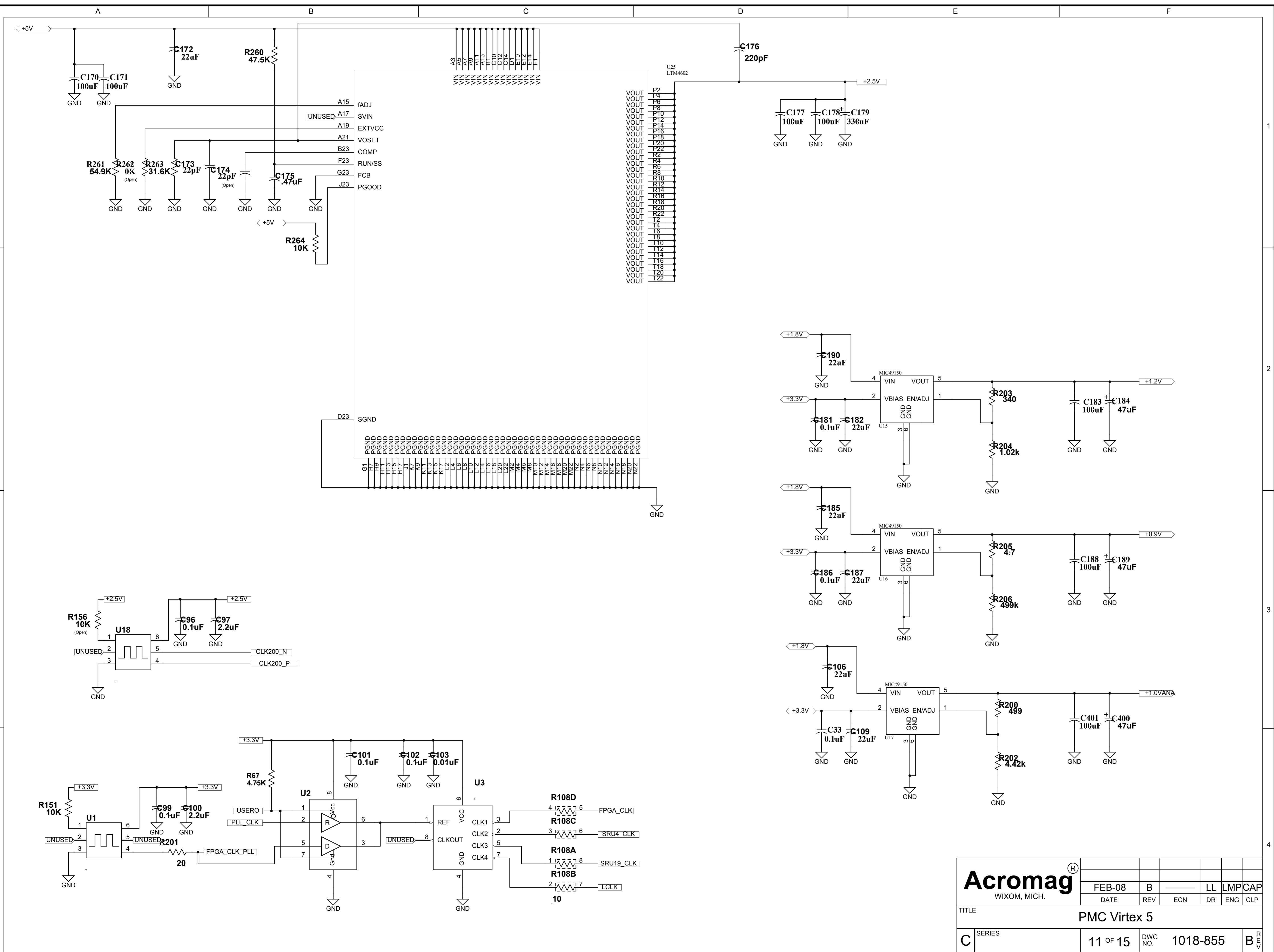
DATE	REV	ECN	DR	ENG	CLP
FEB-08	B		LL	LMP	CAP

TITLE: **PMC Virtex 5**

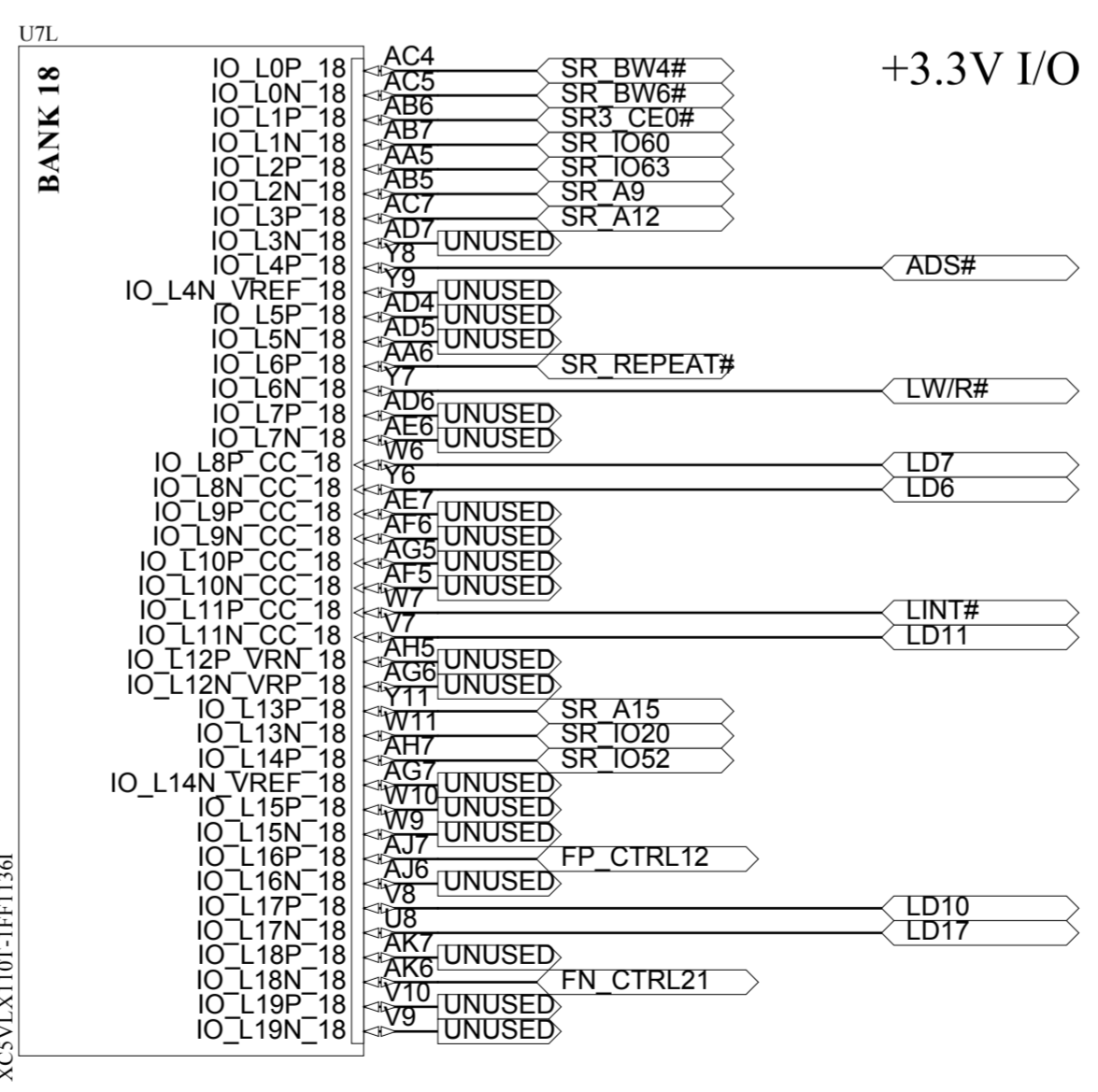
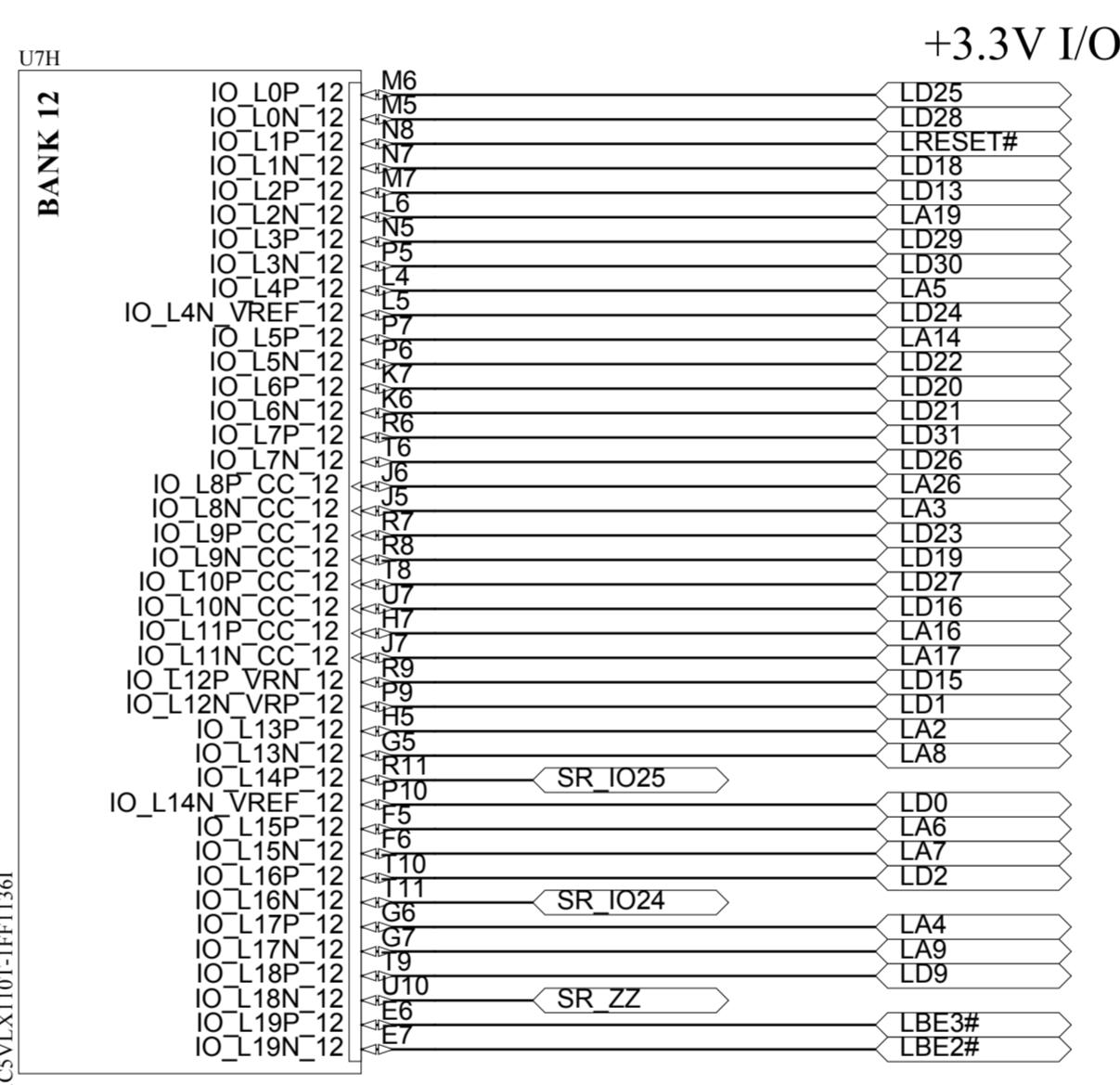
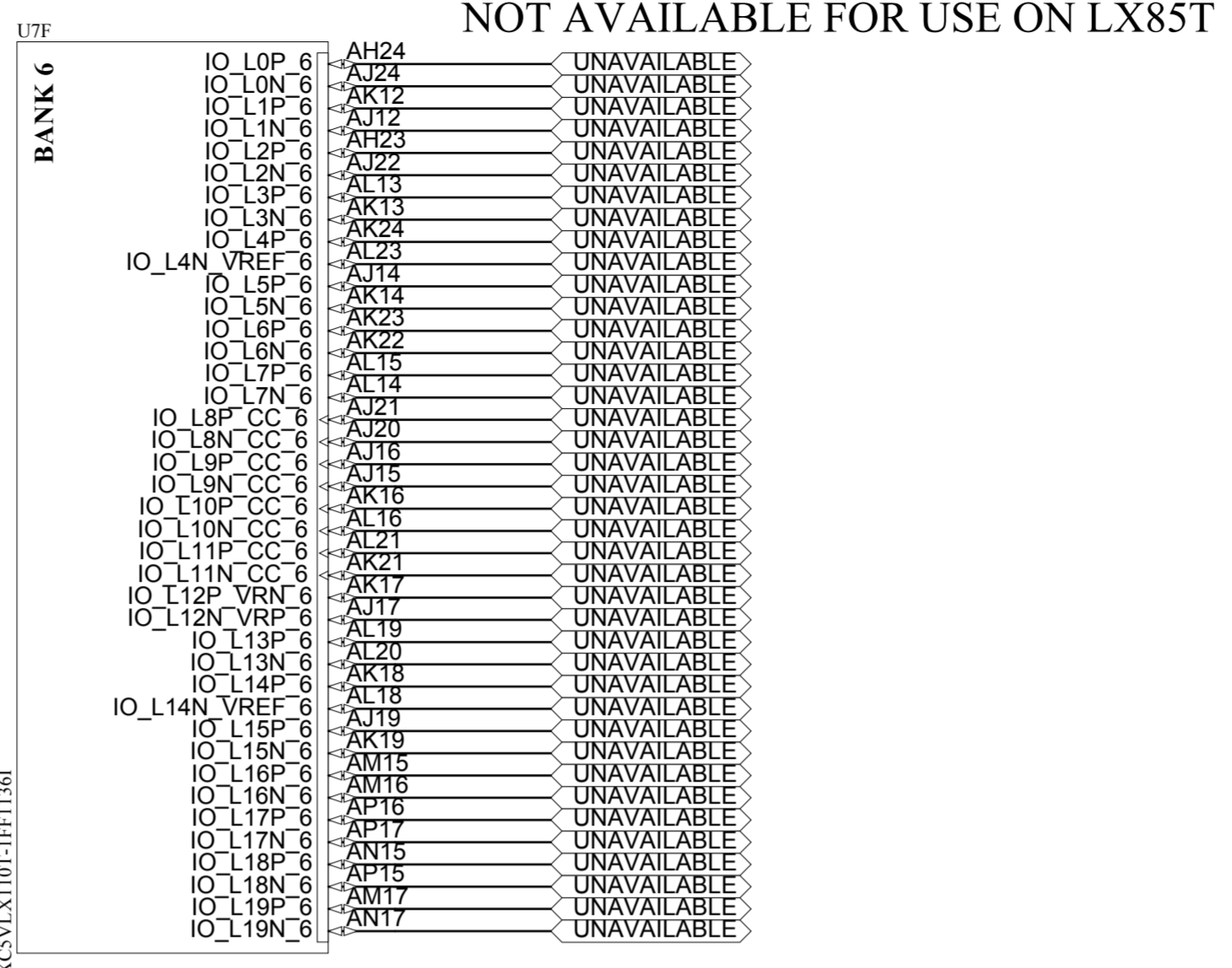
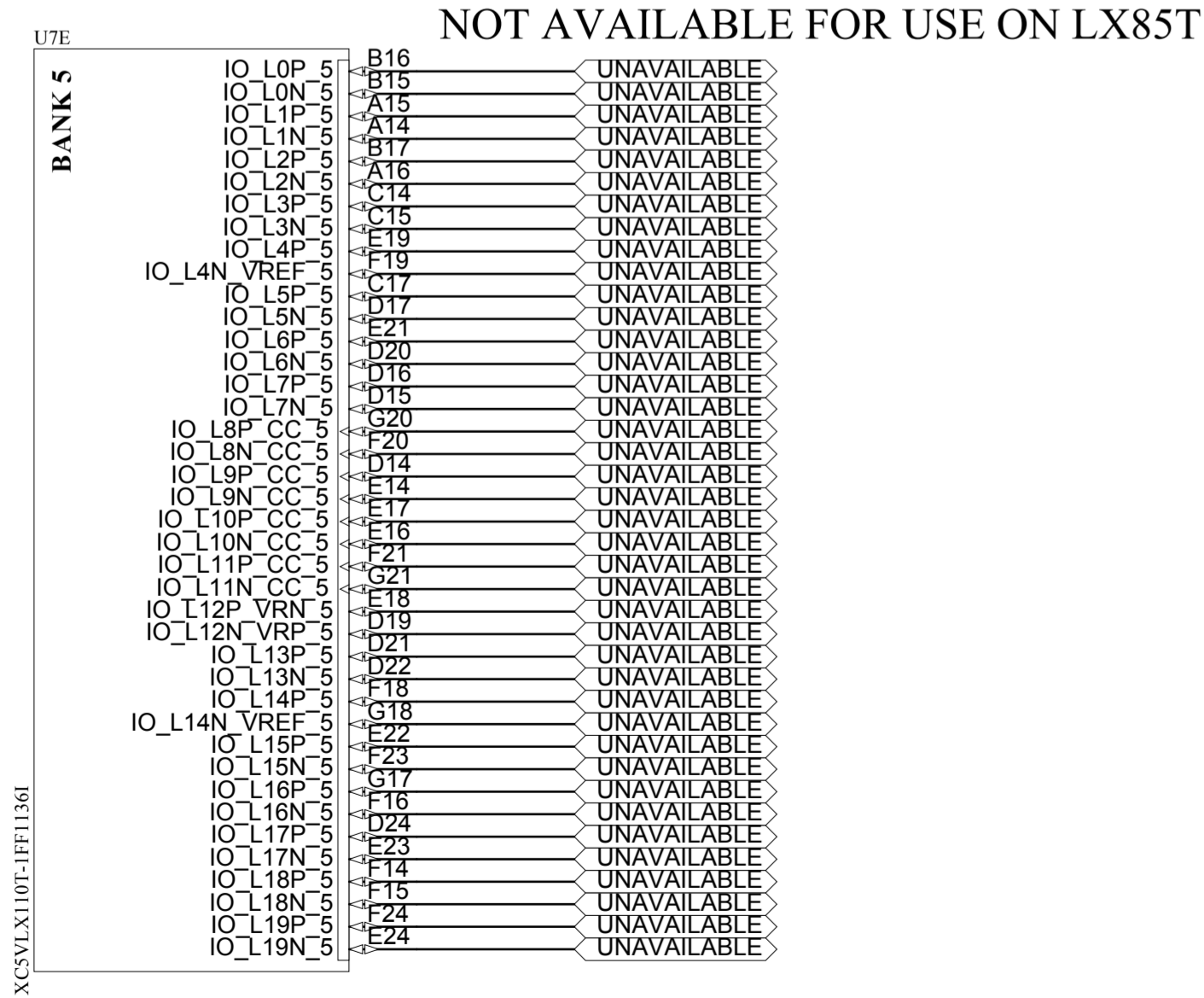
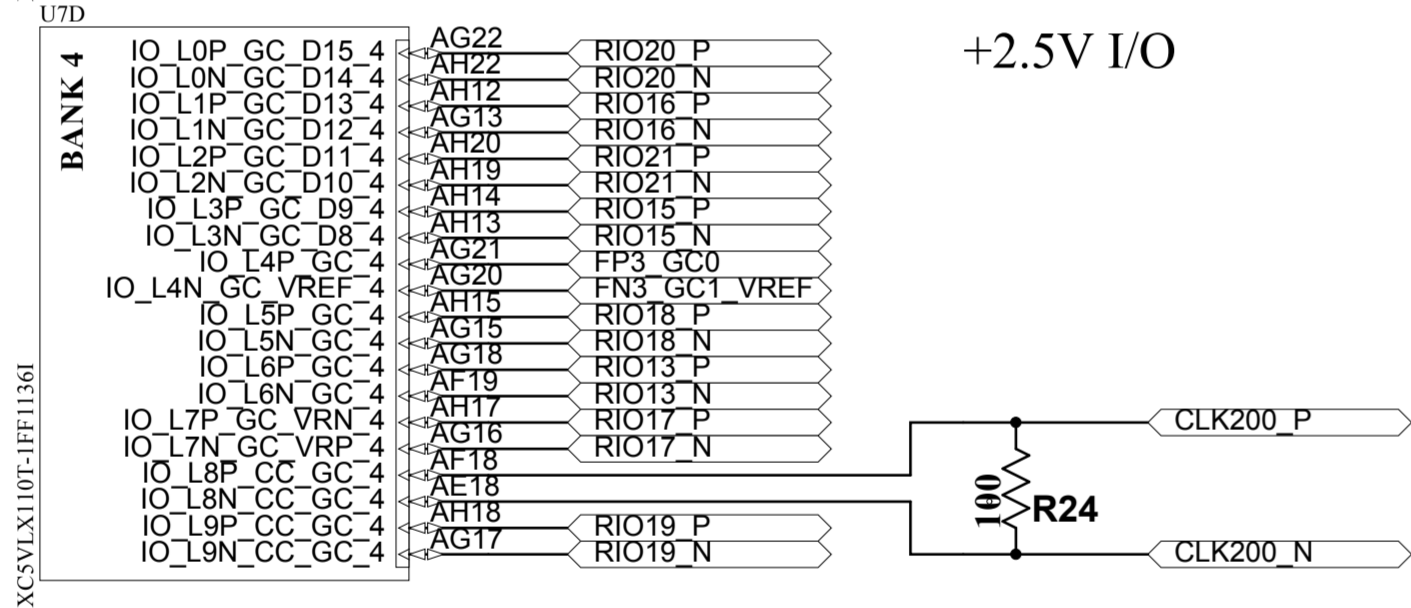
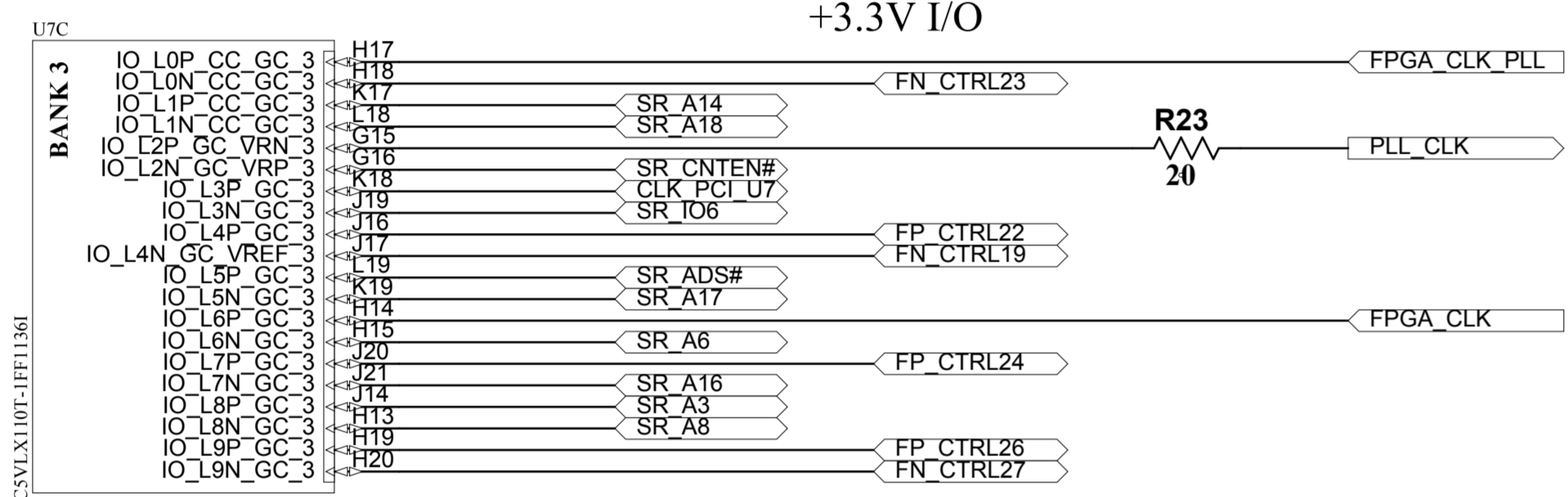
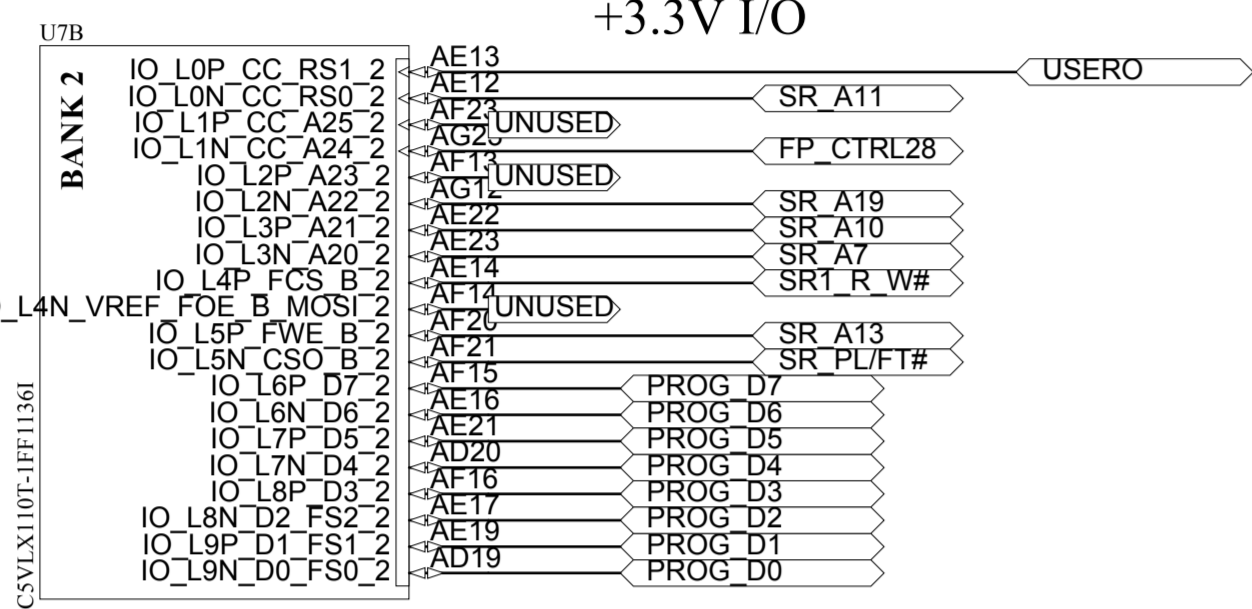
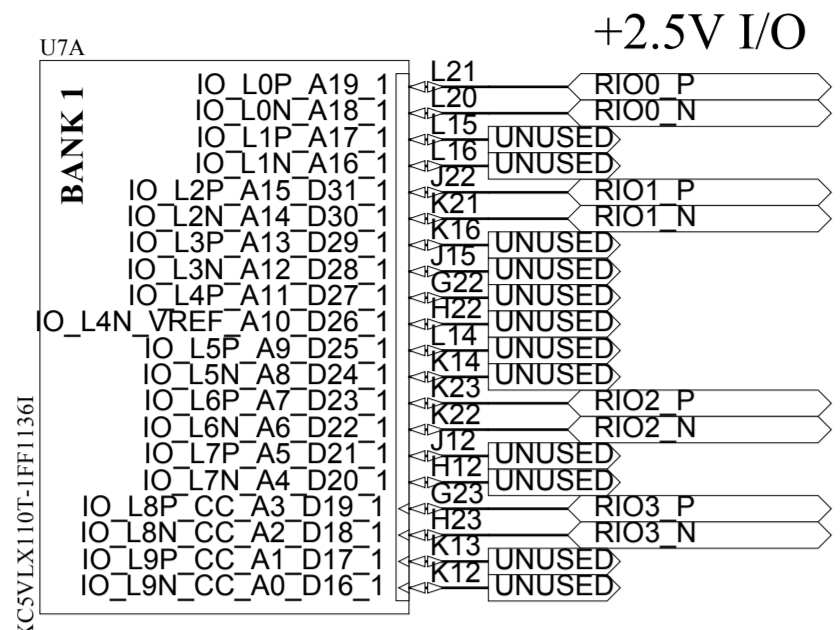
SERIES	9 OF 15	DWG NO.	1018-855	REV	B
--------	---------	---------	----------	-----	---



Acromag [®] WIXOM, MICH.		FEB-08	B	LL	LMP	CAP
		DATE	REV	ECN	DR	ENG
TITLE: PMC Virtex 5						
C	SERIES	10 OF 15	DWG NO.	1018-855	B	REV

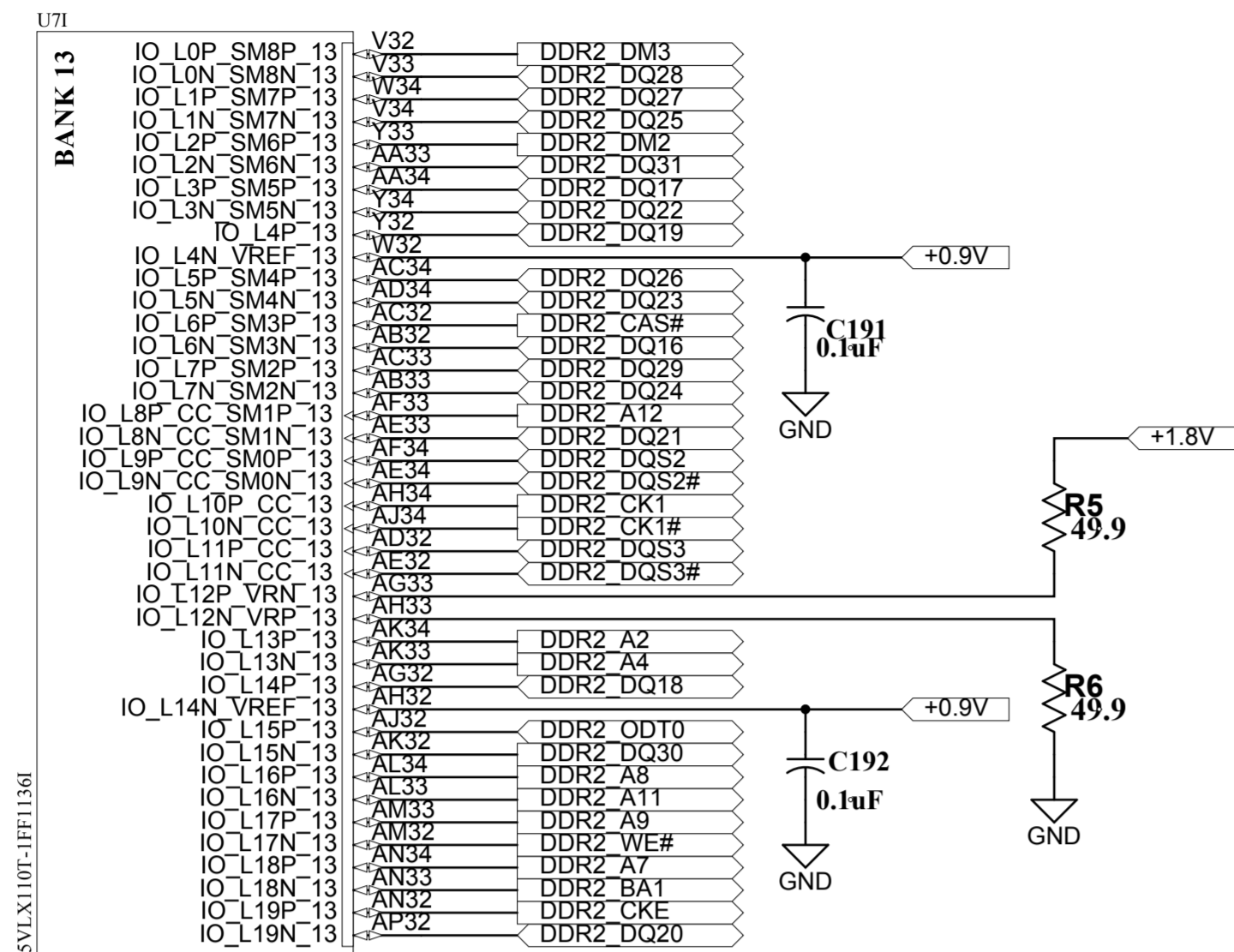


Acromag [®] WIXOM, MICH.							
		FEB-08	B		LL	LMP	CAP
TITLE		PMC Virtex 5					
C	SERIES	11 OF 15	DWG NO.	1018-855	B	REV	

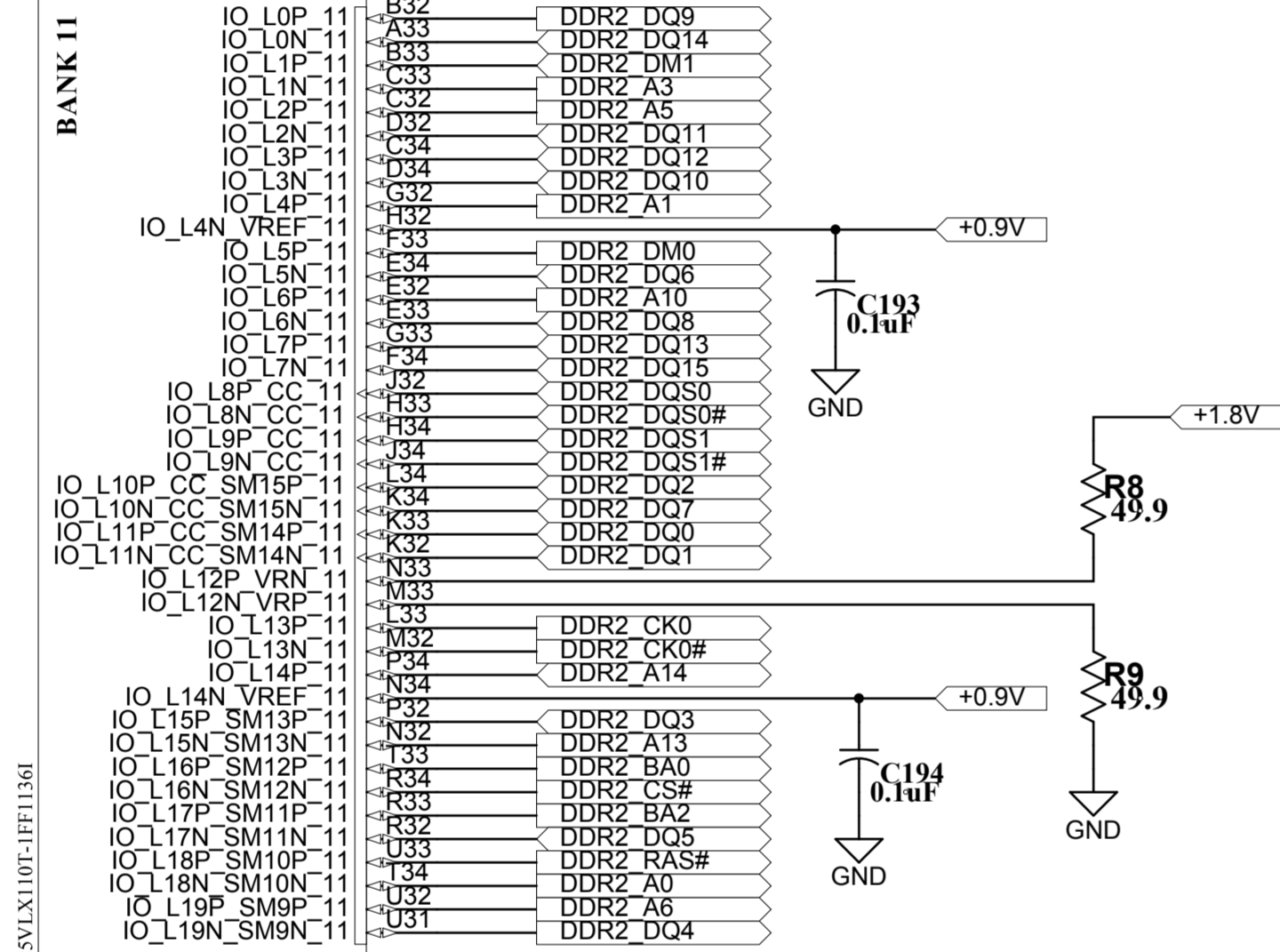


Acromag [®] WIXOM, MICH.		FEB-08	A		JLB	LMP	CAP
		DATE	REV	ECN	DR	ENG	CLP
TITLE PMC Virtex 5							
C	SERIES	12 OF 15	DWG NO.	1018-855	A	R	V

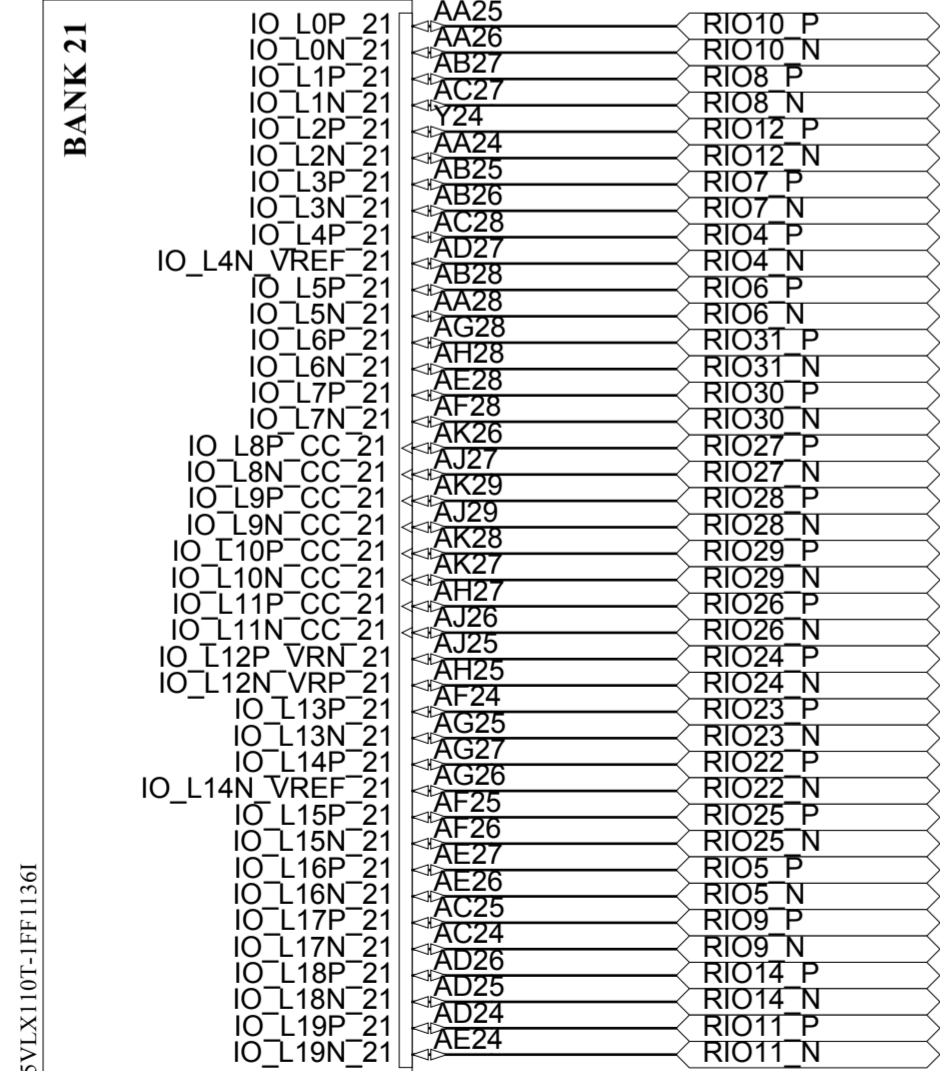
+1.8V I/O



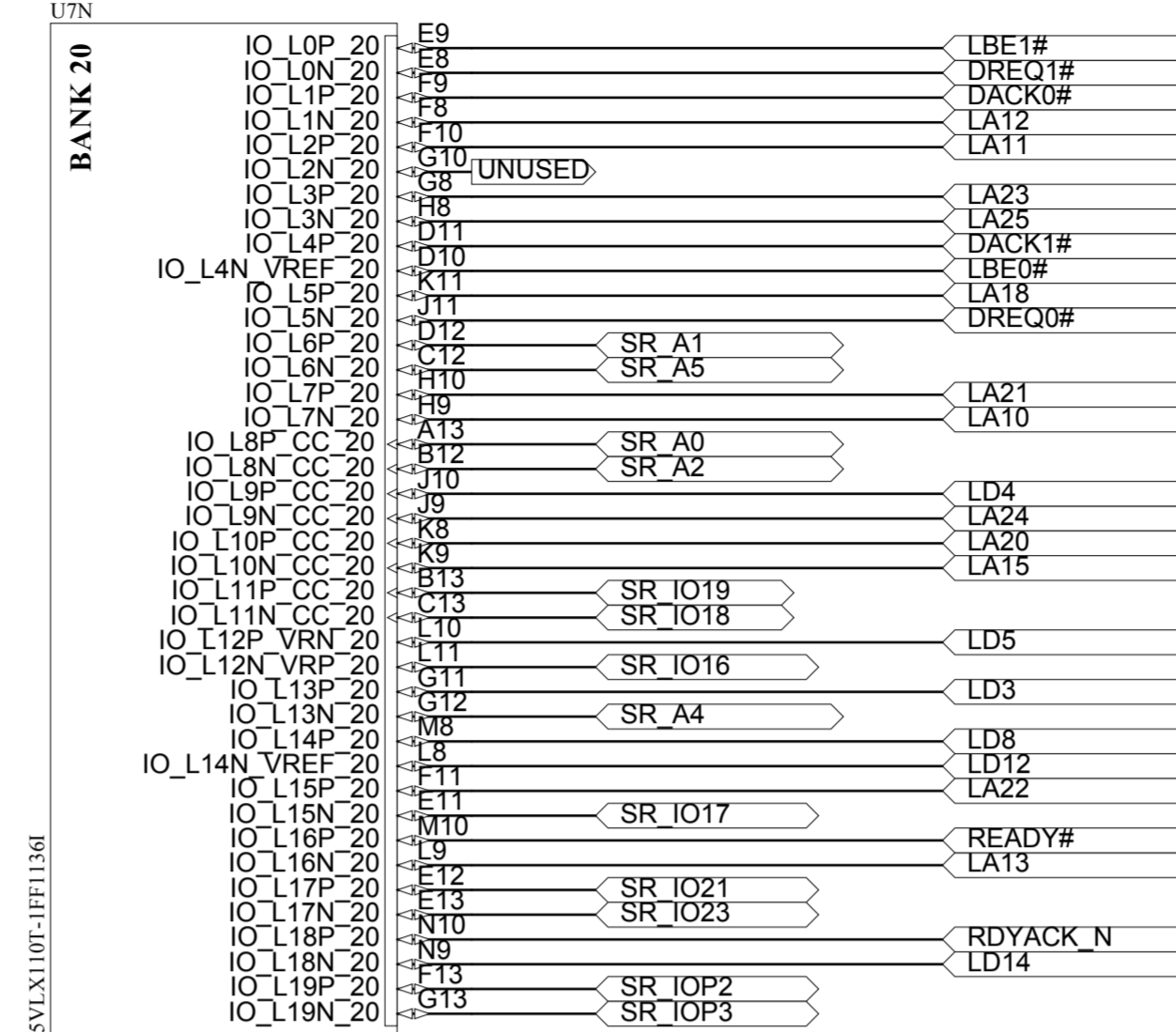
+1.8V I/O



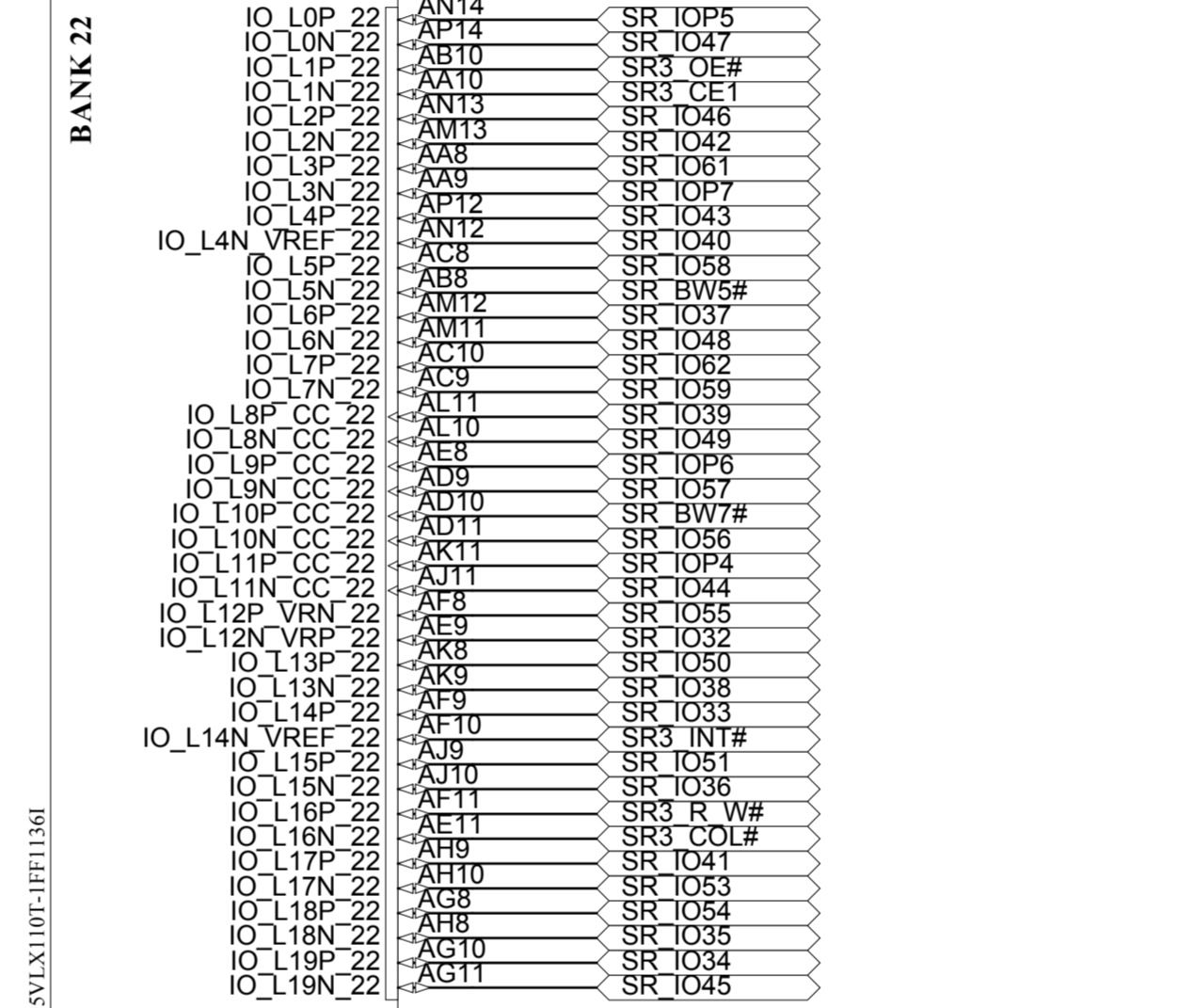
+2.5V I/O



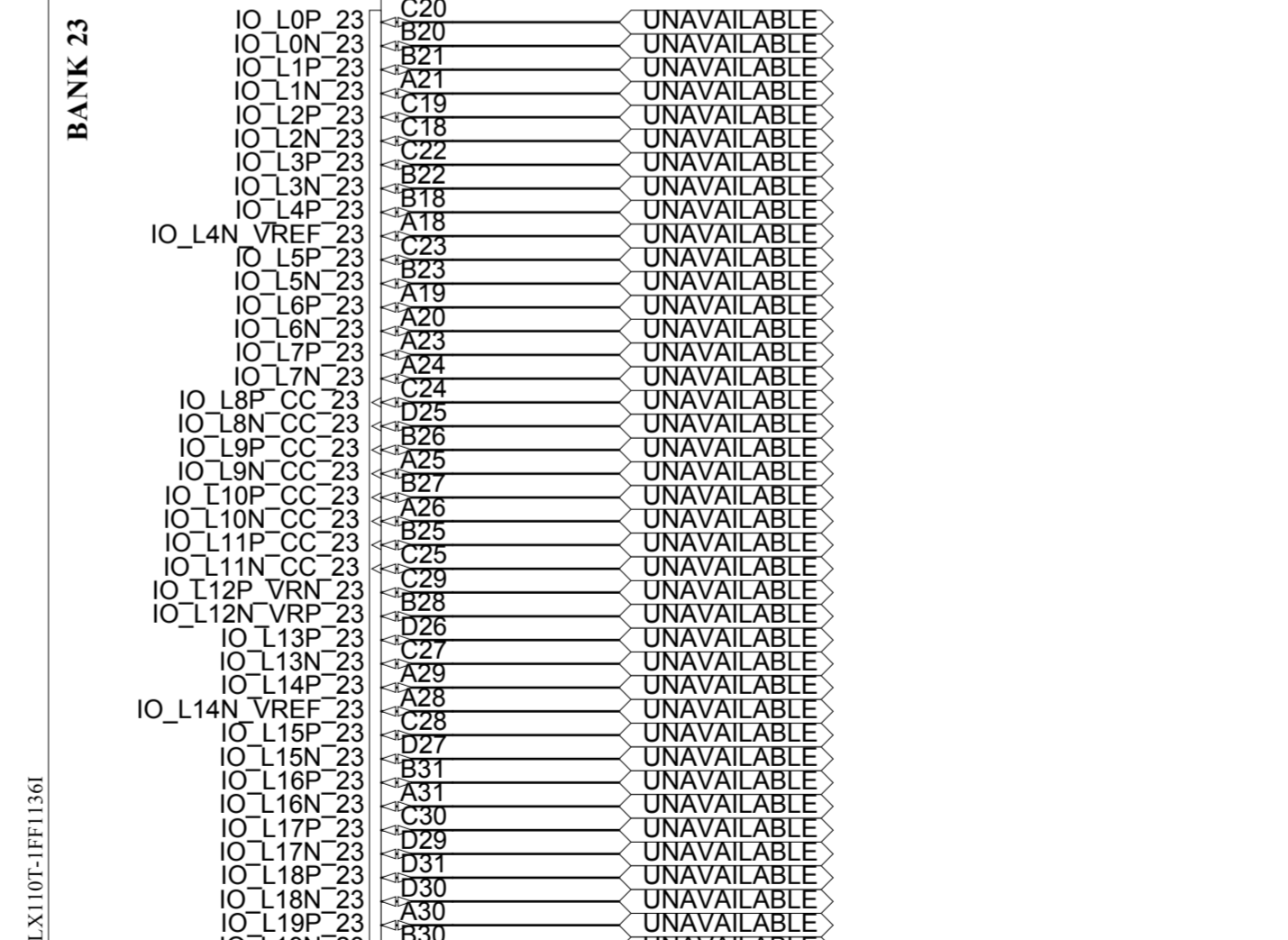
+3.3V I/O



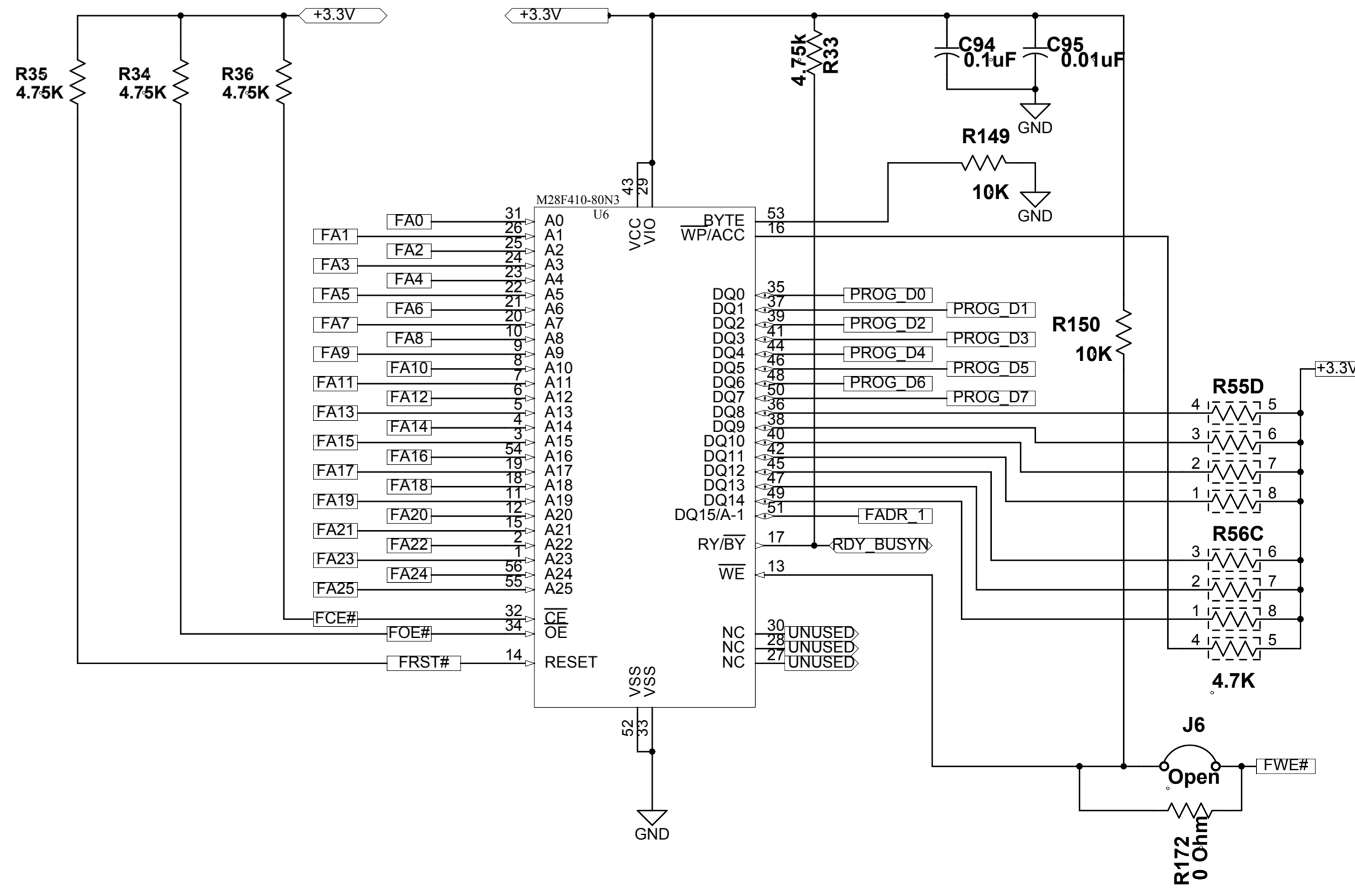
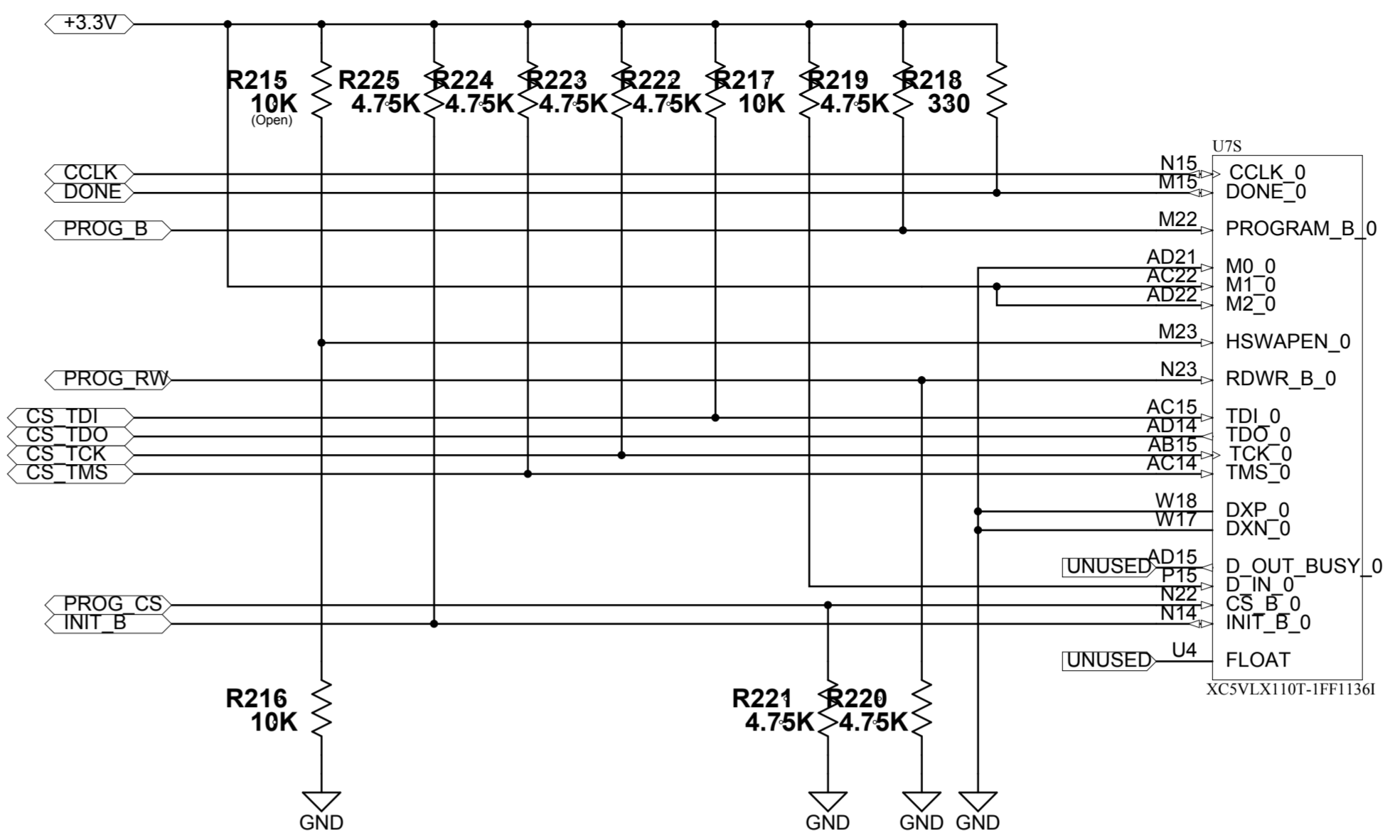
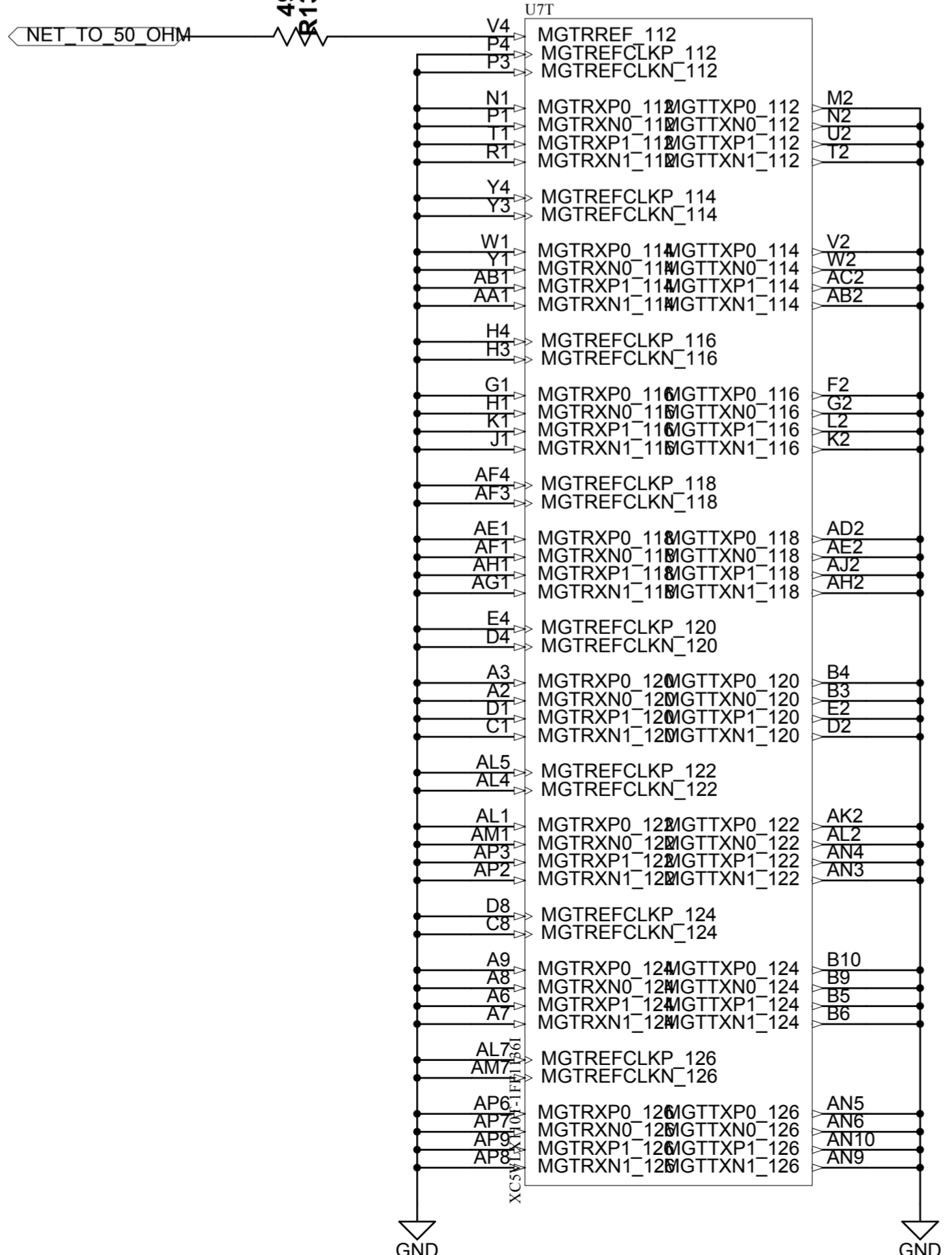
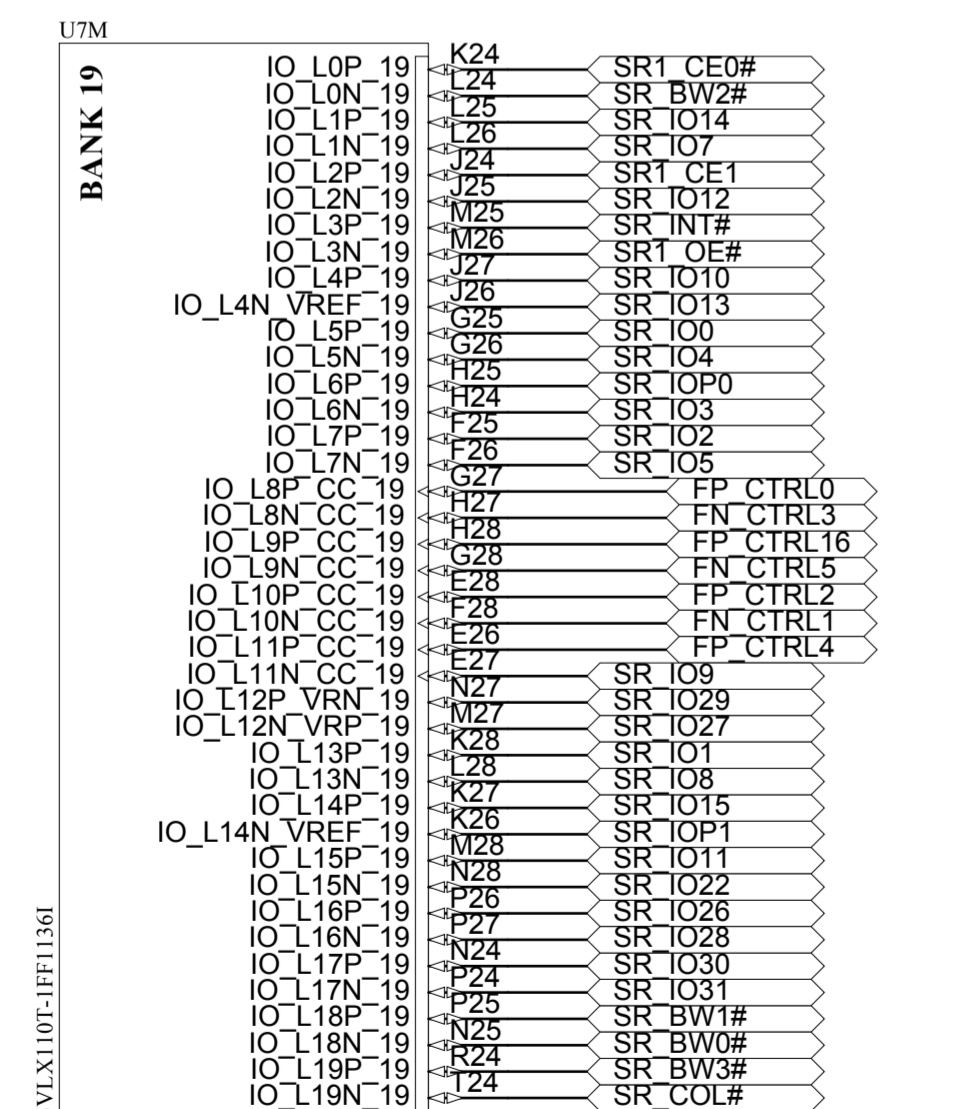
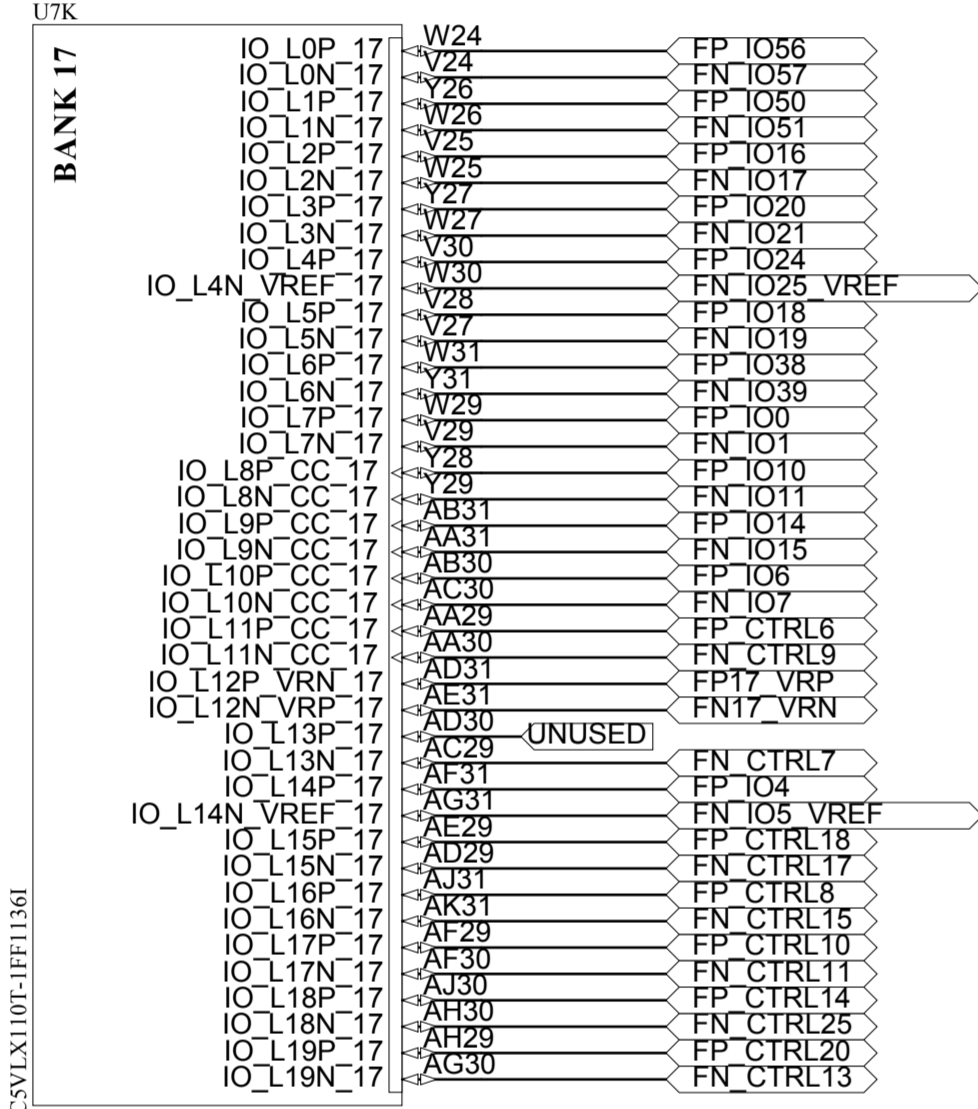
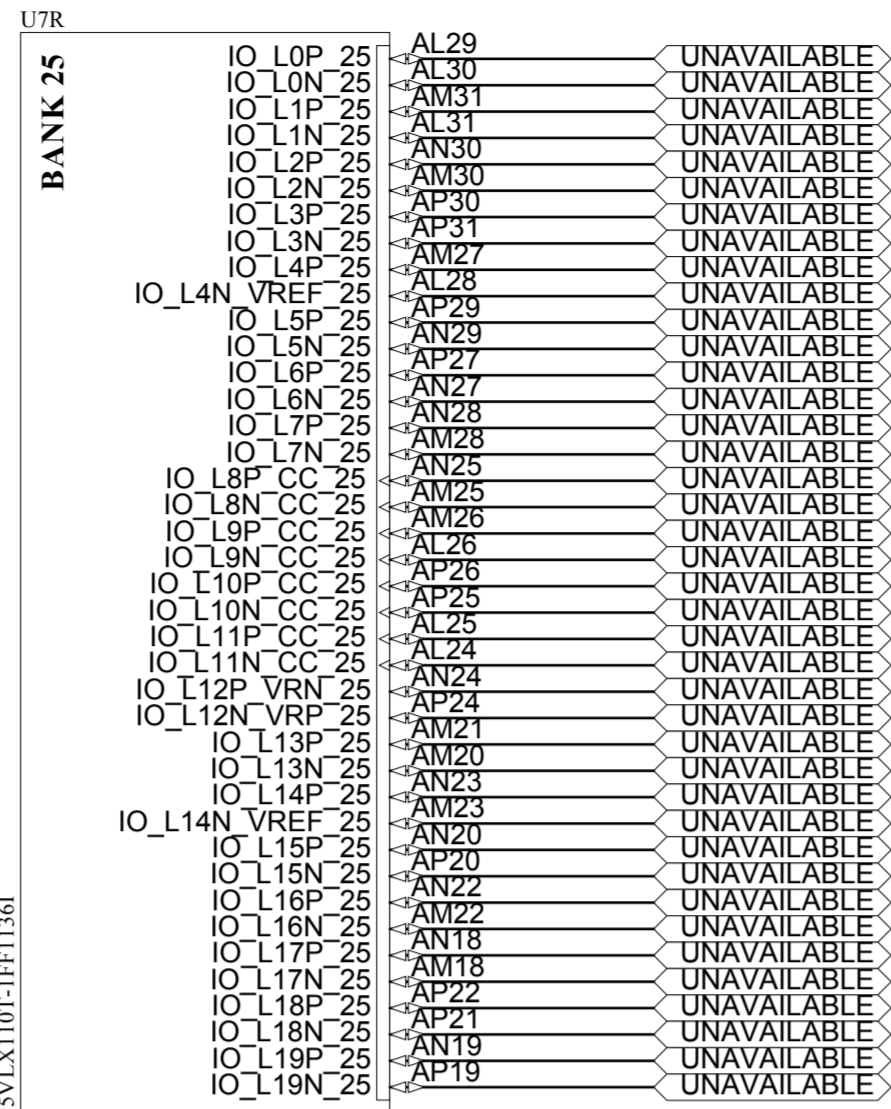
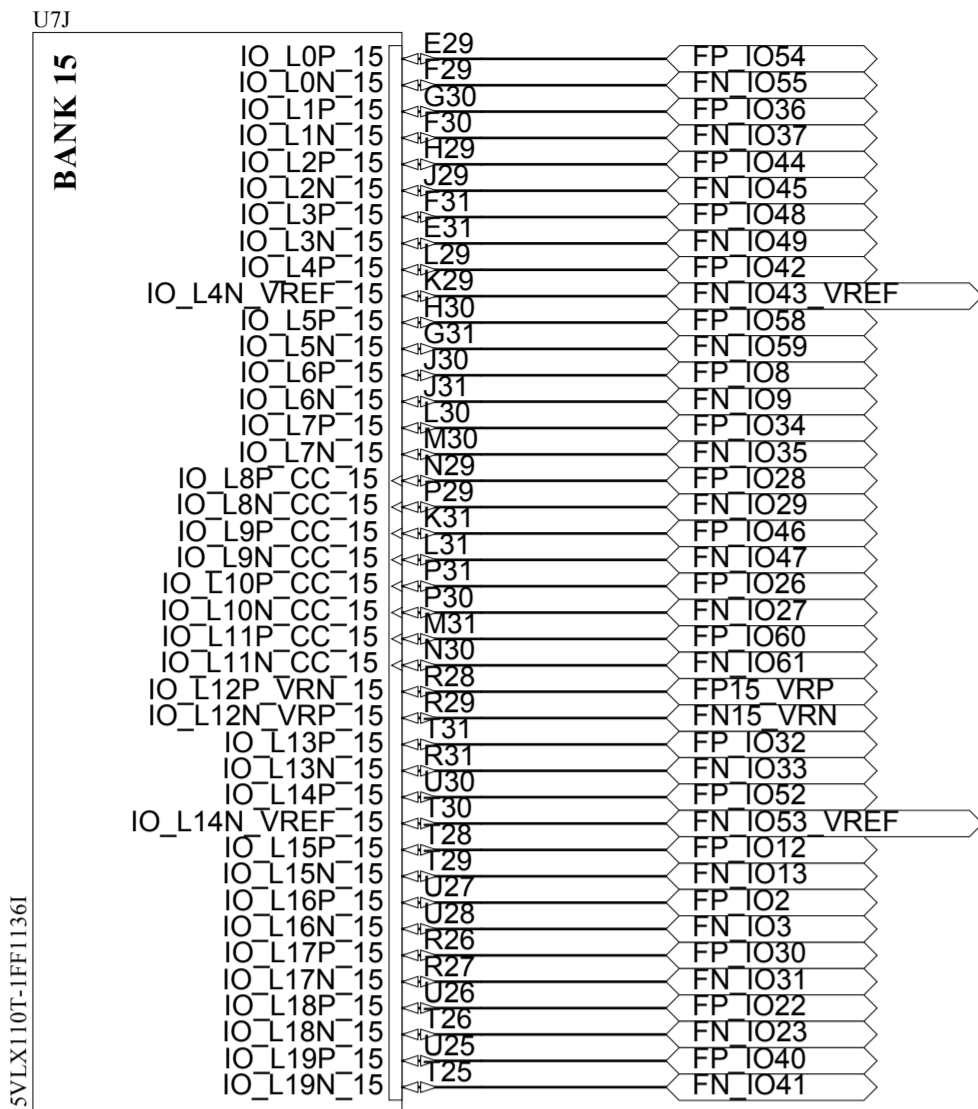
+3.3V I/O



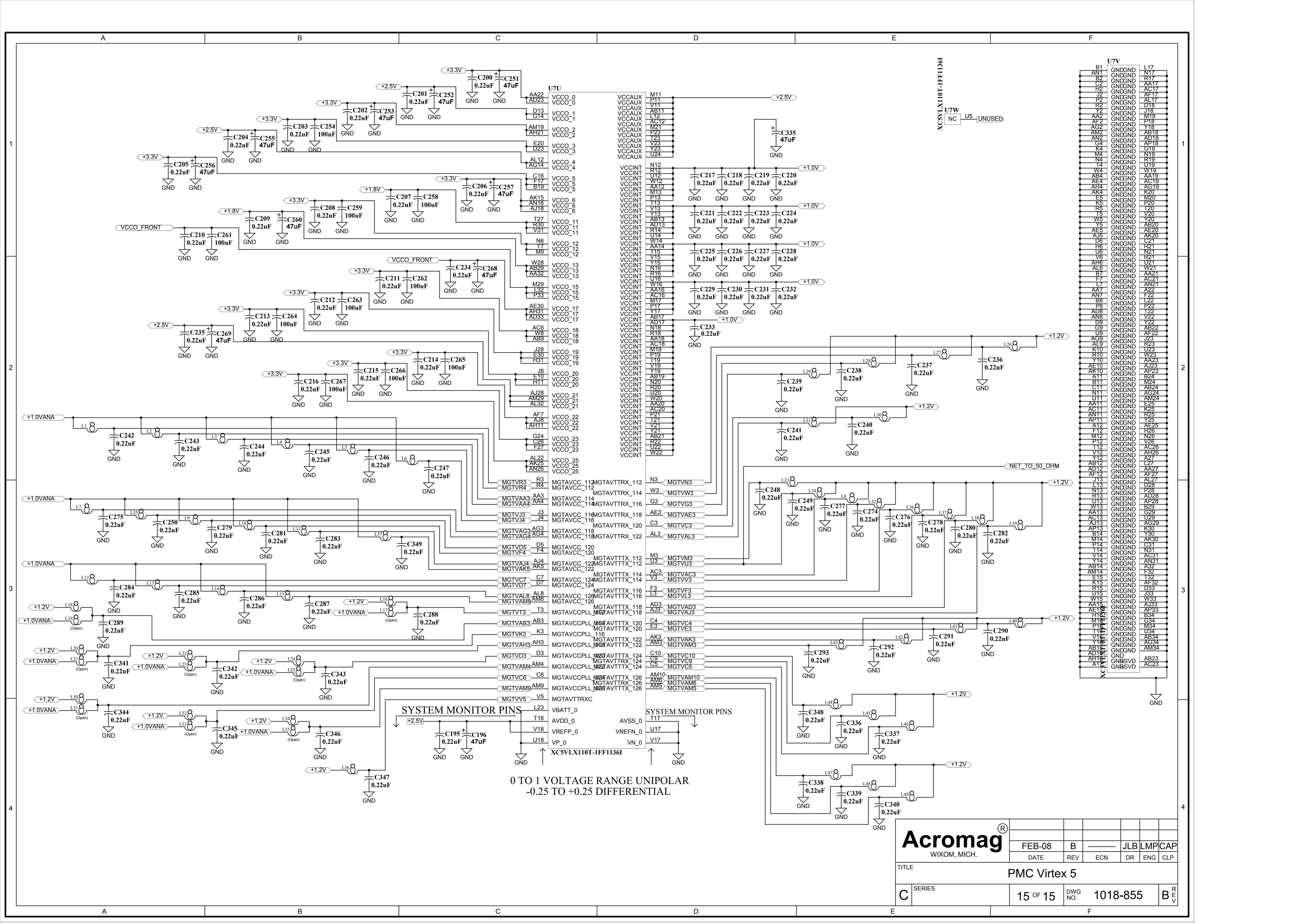
+3.3V I/O



Acromag [®] WIXOM, MICH.		FEB-08	B		JLB	LMP	CAP
		DATE	REV	ECN	DR	ENG	CLP
TITLE: PMC Virtex 5							
C	SERIES	13 OF 15	DWG NO.	1018-855	B	REV	



Acromag WIXOM, MICH.		DATE	REV	ECN	DR	ENG	CLP
		FEB-08	B			JLB	LMP
TITLE: PMC Virtex 5							
C	SERIES	14 OF 15	DWG NO.	1018-855	REV		B



0 TO 1 VOLTAGE RANGE UNIPOLAR
 -0.25 TO +0.25 DIFFERENTIAL

Acromag [®]		FEB-08		B		JLB		LMP		CAP	
WIXOM, MICH.		DATE	REV	ECN	DR	ENG	CLP				
TITLE: PMC Virtex 5											
C	SERIES		15 OF 15	DWG NO.	1018-855		B	REV			